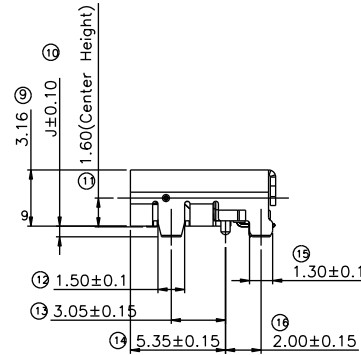
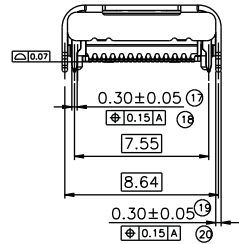
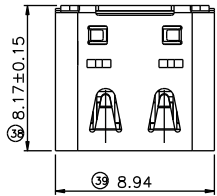
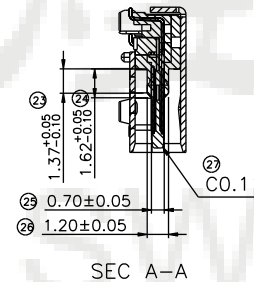
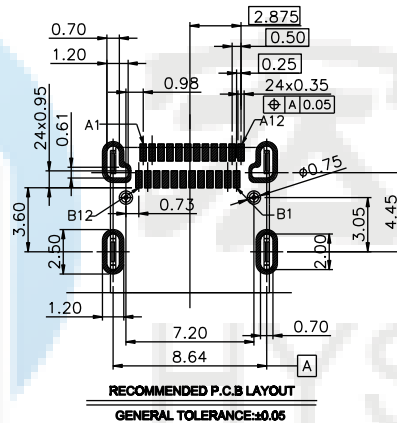
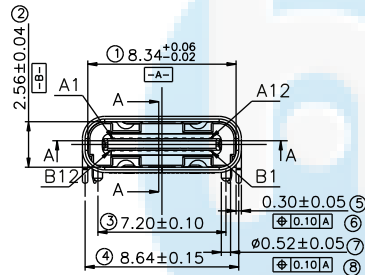


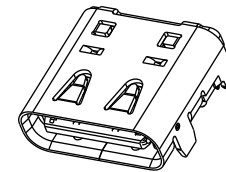
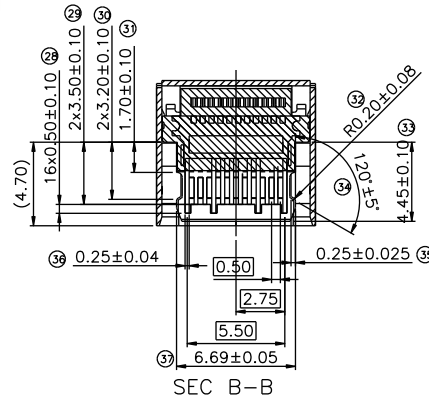
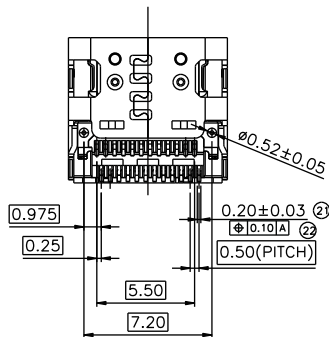
ROHS
Compatible



NOTE:
1.ELECTRICAL CHARACTERISTICS;
1.1 VOLTAGE RATING:100 VAC RMS
1.2 CURRENT RATING:5A FOR PIN(A4,A9,B4,B9),
1.25A FOR OTHERS PIN
1.3 CONTACT RESISTANCE:40 MILLIOHMS MAX
1.4 INSULATION RESISTANCE:100 MEGOHMS MIN
1.5 DIELECTRIC STRENGTH:100V AC RMS 50Hz.1MIN
2 ENVIRONMENTAL:
2.1 TEMPERATURE RANGE:-40°C +85°C
2.2 RELATIVE HUMIDITY:90 95%(40±2°C)
3.MATERIAL LIST:



U5 428- 24P x x XXJ 8.17L x
↓ ↓ ↓ ↓ ↓ ↓ ↓ ↓ ↓ ↓
名称 流水号 PIN位 N;母座 T;带弹 J;脚长 L;长度 A;全柱
0.6
1.6



A1	GND	B12	GND
A2	SSTXP1	B11	SSRXP1
A3	SSTXN1	B10	SSRXN1
A4	VBUS	B9	VBUS
A5	CC1	B8	SBU2
A6	DP1	B7	DN2
A7	DN1	B6	DP2
A8	SBU1	B5	CC2
A9	VBUS	B4	VBUS
A10	SSRXN2	B3	SSTXN2
A11	SSRXP2	B2	SSTXP2
A12	GND	B1	GND
PIN	SIGNAL NAME	PIN	SIGNAL NAME

4	MID PLATE	1	SUS304	NO PLATED
3	SHELL	1	SUS304	NI PLATED
2	CONTACT	24	C18400	AU 3U/TIN 80U PLATED
1	HOUSING	1	THERMOPLASTIC	(UL 94V-0)
No.	PART NAME	QTY	MATERIAL	REMARK

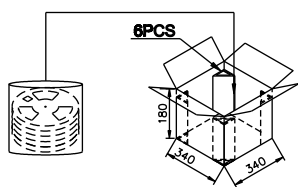
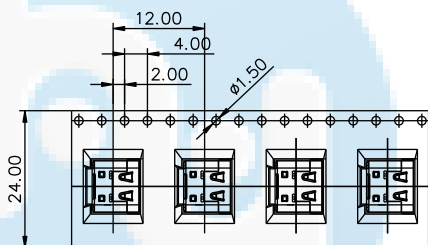
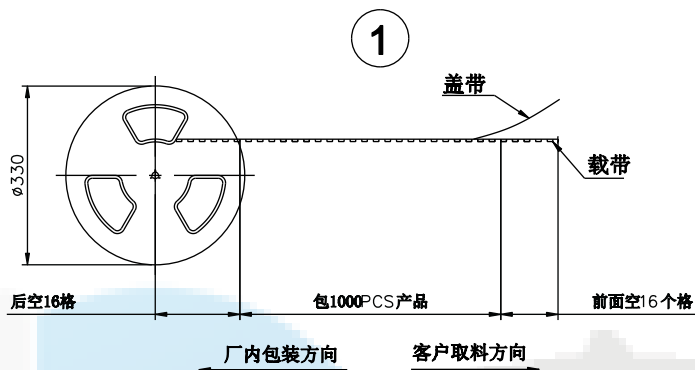
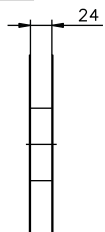
DESIGN	Li Jinwei	SC ALL	
DRAWING	Wu Qifa	UNIT	mm
CHECK	Zheng Jinxian	SIZE	A4: 210 * 297
APPROVAL	Liu Xiaohong	DATE	2020-06-10

TOLERANCE	
.XX ±0.30	.X°±2°
.XX ±0.20	.X°±1°
.XXX ±0.10	.XX°±0.5°

DRAWG NO.	U5428-24PNTXXJ8.17LA
TITLE:	24P 板上四脚插板SMT 带弹 带柱全柱 8.17L

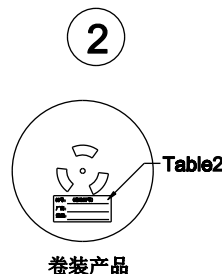
东莞市宏煜盛实业有限公司
Dongguan hongyusheng Industry Co., Ltd
TEL: 0769-81230179 <https://www.hystypec.com>

ROHS
Compatible



- 3-1. 将6盘装入PE胶袋,再放入纸箱中。
 3-2. 纸箱4个角落用缓冲材料塞好,并盖上与之相配的纸板
 备注: 纸箱的规格: 340*340*180 (mm)
 PE胶袋的规格: (长) 650mm*(宽) 620mm*(厚) 0.05mm
 3-3. 包装明细:

盘/每箱	PCS/每盘	PCS/每箱
6盘/每箱	1000PCS/每盘	6000PCS/每箱

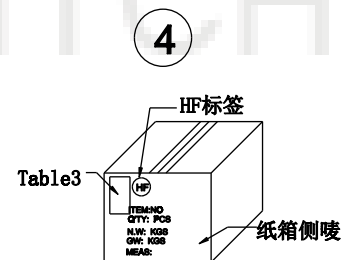


卷装产品

Table2

料号: _____
 厂商: _____
 数量: _____

2 每卷贴上内标签 (如图如示)



- 4-1 纸箱开口处以透明胶带贴合。
 4-2 若有未装满的零数箱,必须以缓冲材塞
 4-3. 产品外包装标签贴法:(如上图)。

DESIGN	Li Jinwei	SC ALL		 TOLERANCE X.X ±0.30 X.°±2° .XX ±0.20 .X°±1° .XXX ±0.10 .XX°±0.5°
DRAWING	Wu Qifa	UNIT	mm	
CHECK	Zheng Jinxian	SIZE	A4: 210 * 297	
APPROVAL	Liu Xiaohong	DATE	2020-06-10	

DRAWG NO.
U5428-24PNTXXJ8.17LA
TITLE:
24P 板上四脚插板SMT 带弹 带柱全柱 8.17L



东莞市宏煜盛实业有限公司
 Dongguan hongyusheng Industry Co., Ltd
 TEL: 0769-81230179 <https://www.hystypec.com>