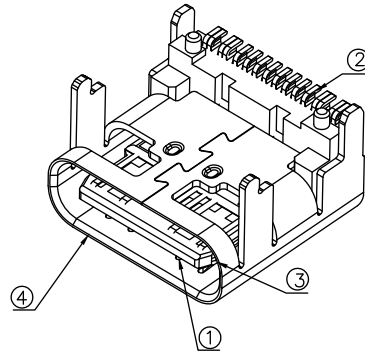
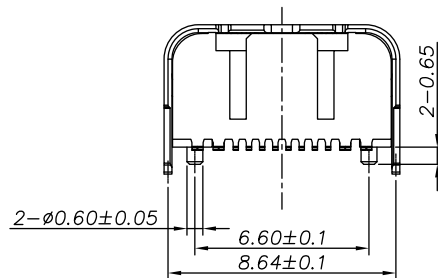
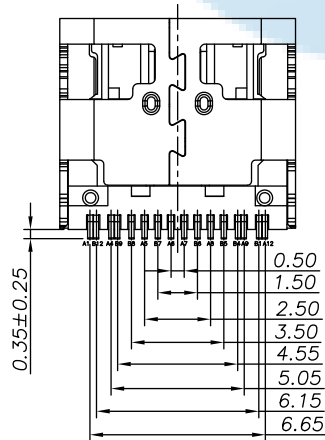
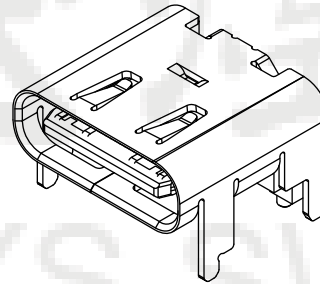
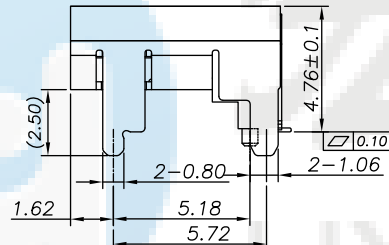
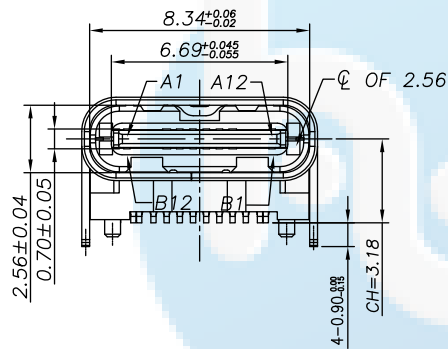
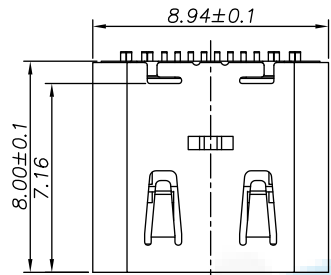


**ROHS**  
Compatible



NOTE:

- 1.MATERIAL SPECIFICATION:
    - 1.HOUSING:HIGH TEMPERATURE RESISTANT PLASTIC,UL94 V-0.
    - 2.CONTACTS: COPPER ALLOY
    - 3.MID PLATE: STAINLESS STEEL
    - 4.INSIDE SHELL: STAINLESS STEEL
    - 5.OUTSIDE SHELL: STAINLESS STEEL
  - 2.PLATING SPECIFICATION:
    - 2-1.CONTACTS:
      - Ni 50u" MIN. UNDER PLATED OVER ALL.
      - Au PLATED ON THE FUNCTIONAL AREA OF CONTACT.
      - (GOLD PLATING THICKNESS FOLLOW THE P/N)
      - GOLD FLASH PLATING ON SOLDER AREA
    - 2-2.INSIDE SHELL OR OUTSIDE SHELL:
      - Ni 30u" MIN. UNDER PLATED OVER ALL.
  - 3.MECHANICAL PERFORMANCE,
    - 3-1.INSERTION FORCE: 0.5~2.0kgf.
    - 3-2.REMOVAL FORCE: 0.8kgf~2.0kgf.
    - 3-3.DURABILITY: 10000 CYCLES.
  - 4.ELECTRICAL PERFORMANCE,
    - 4-1. CURRENT RATING: 5A  
VOLTAGE RATING: 20V
    - 4-2.INSULATION RESISTANCE: 100MΩ MIN
    - 4-3.DIELECTRIC WITHSTAND VOLTAGE,AC 100V FOR 1 MINUTE.
    - 4-4.LOW CONTACT RESISTANCE: INITIAL 40MΩ  
AFTER 50MΩ
  5. ENVIRONMENTAL PERFORMANCE:
    - OPERATING TEMPERATURE: -30°C~+80°C.
  - 6.IR REFLOW:
    - THE PEAK TEMPERATURE ON THE BOARD SHALL BE MAINTAINED FOR 10 SECONDS AT 260°C.
- U5 228- 16P x x 1.6G 8.0L  
 ↓ ↓ ↓ ↓ ↓ ↓ ↓ ↓  
 名称 流水号 PIN位 N;母座 T;带弹 G;垫高 L;长度

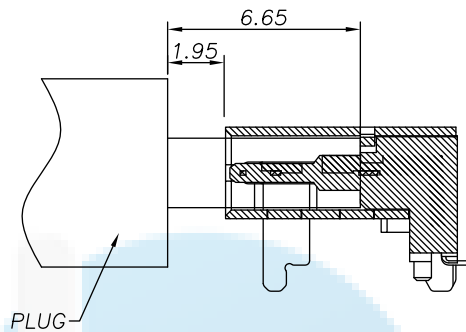
4	SHELL	STAINLESS STEEL T=0.30MM	Ni 40u"MIN	1PCS
3	SHIELDING PLATE	STAINLESS STEEL T=0.15MM	N/A	1PCS
2	CONTACT	COPPER ALLOY T=0.15MM	Mating area 1u" Au Solder Tails: G/F Underplate: 80u" Min Ni overall	2SET
1	INSERT MOLDING	LCP UL94V-0	BLACK	1PCS
NO.	DESCRIPTION	MATERIAL	REMARKS	

DESIGN	Li Jinwei	SC ALL		 TOLERANCE X.X ±0.30 X.°±2° .XX ±0.20 .X°±1° .XXX ±0.10 .XX°±0.5°	DRAWG NO.	U5228-16PNT1.6G8.0L
DRAWING	Wu Qifa	UNIT	mm		TITLE:	16P 板上四脚插板SMT 带弹 带柱 垫高1.6mm (CH=3.18)8.0L
CHECK	Zheng Jinxian	SIZE	A4: 210 * 297			
APPROVAL	Liu Xiaohong	DATE	2020-06-10			



**东莞市宏煜盛实业有限公司**  
 Dongguan hongyusheng Industry Co., Ltd  
 TEL: 0769-81230179 <https://www.hystypec.com>

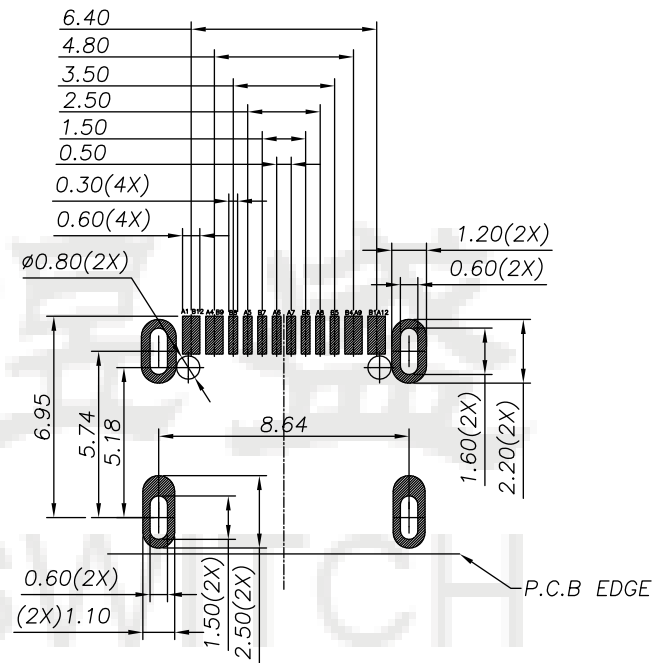
**ROHS**  
Compatible



AFTER MATING  
SCALE 1:1

USB TYPE-C PIN ASSIGNMENTS

PIN NUMBER	SIGNAL NAME	PIN NUMBER	SIGNAL NAME
A1	GND	B12	GND
A4	VBUS	B9	VBUS
A5	CC1	B8	SBU2
A6	Dp1	B7	Dn2
A7	Dn1	B6	Dp2
A8	SBU1	B5	CC2
A9	VBUS	B4	VBUS
A12	GND	B1	GND



RECOMMEND P.C.B LAYOUT(COMPONENT SIDE)  
TOLERANCE FOR PCB LAYOUT IS  $\pm 0.05$

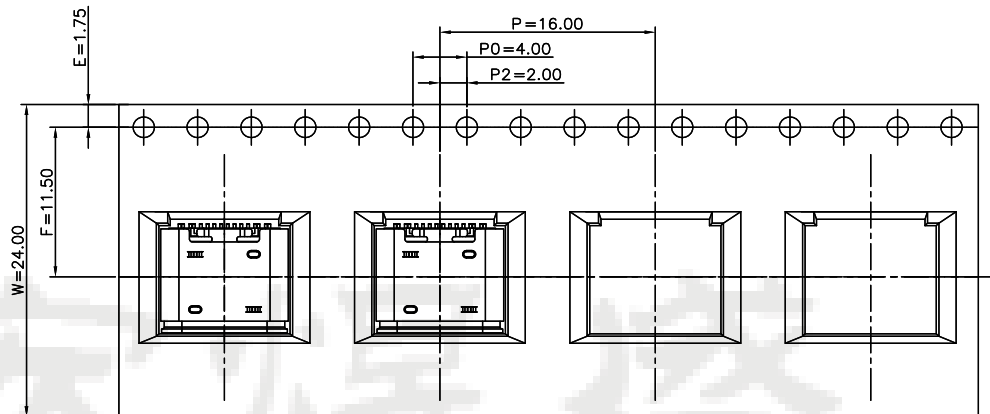
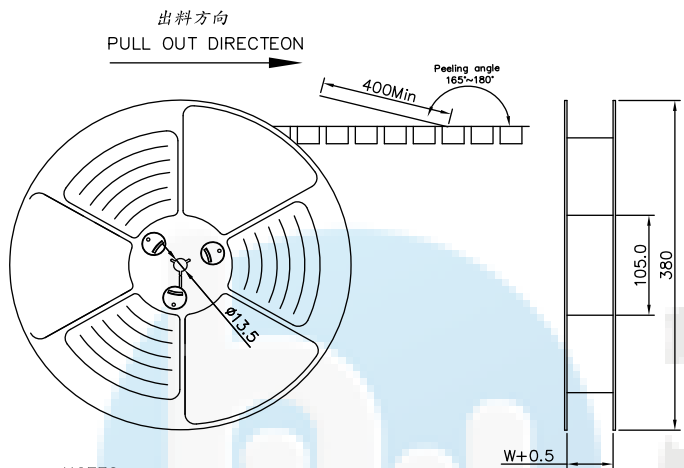
DESIGN	Li Jinwei	SC ALL		 TOLERANCE X.X $\pm 0.30$ X. $^{\circ} \pm 2^{\circ}$ .XX $\pm 0.20$ .X $^{\circ} \pm 1^{\circ}$ .XXX $\pm 0.10$ .XX $^{\circ} \pm 0.5^{\circ}$
DRAWING	Wu Qifa	UNIT	mm	
CHECK	Zheng Jinxian	SIZE	A4: 210 * 297	
APPROVAL	Liu Xiaohong	DATE	2020-06-10	

DRAWG NO.	U5228-16PNT1.6G8.0L
TITLE:	16P 板上四脚插板SMT 带弹 带柱 垫高1.6mm (CH=3.18)8.0L



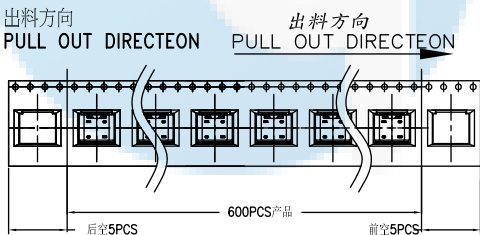
**东莞市宏煜盛实业有限公司**  
Dongguan hongyusheng Industry Co., Ltd  
TEL: 0769-81230179 <https://www.hystypec.com>

**ROHS**  
Compatible

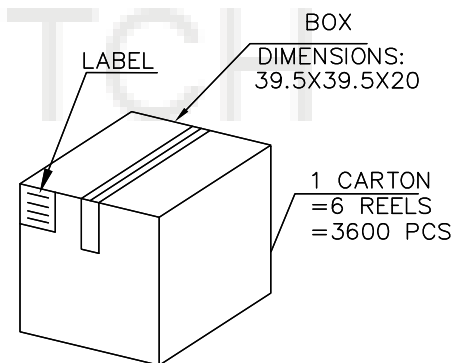
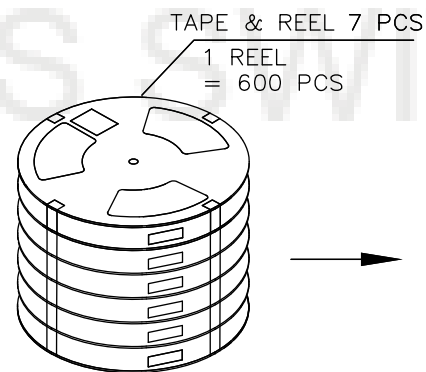


NOTES

1. 帶子引導長度  
LEAD TAPE LENGTH  
出料方向  
PULL OUT DIRECTEON



2. 上帶 剝離力為 : 0.1~1.3N(10.2gf~130gf)  
PEELING OFF FORCE OF TOP TAPE:0.1~1.3N(10.2gf~130gf)  
出貨運輸過程中一定要注意:  
THIS REQUIREMENT SHOULD BE APPLIED AT SHIPMENT:  
卷帶在運輸過程中不能散開  
PEELING OFF SHOULD NOT BE ALLOWED DURING TRANSPORTATION



包裝明細表 (The detail of the packing) Carton						
產品料號 (Product No.)	包裝容量 (Packing Capacity)			重量 Weight (Kg)		
	pcs/box	boxes/Carton	Pcs/Box	N.W./Pcs	N.W./Box	G.W./Box
U5228-16PNT1.6G8.0L	6JJ	6	3600	--	--	--

DESIGN	Li Jinwei	SC ALL		 TOLERANCE X.X ±0.30 X.°±2° .XX ±0.20 .X° ±1° .XXX ±0.10 .XX°±0.5°
DRAWING	Wu Qifa	UNIT	mm	
CHECK	Zheng Jinxian	SIZE	A4: 210 * 297	
APPROVAL	Liu Xiaohong	DATE	2020-06-10	

DRAWG NO. U5228-16PNT1.6G8.0L  
TITLE:  
16P 板上四脚插板SMT 帶彈 帶柱 墊高1.6mm (CH=3.18)8.0L



**东莞市宏煜盛实业有限公司**  
Dongguan hongyusheng Industry Co., Ltd  
TEL: 0769-81230179 <https://www.hystypec.com>