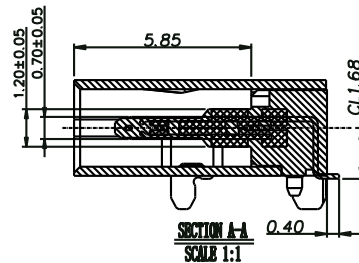
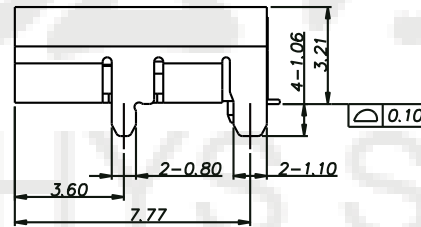
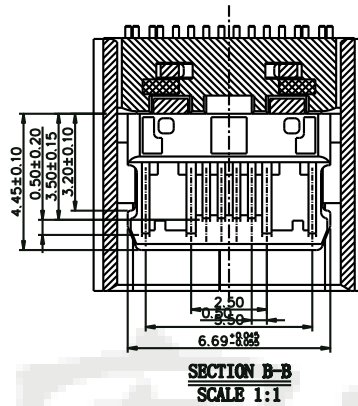
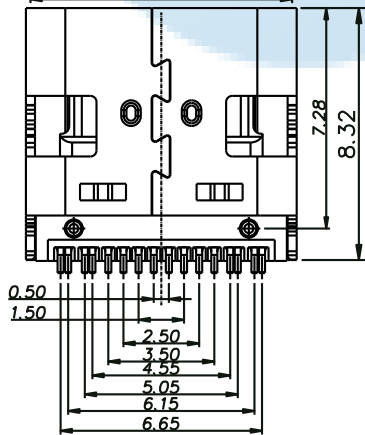
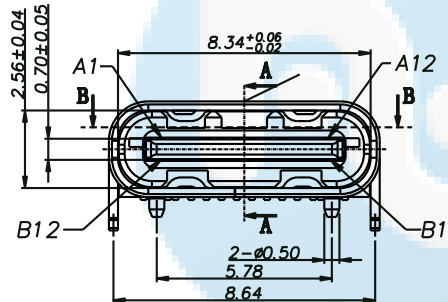
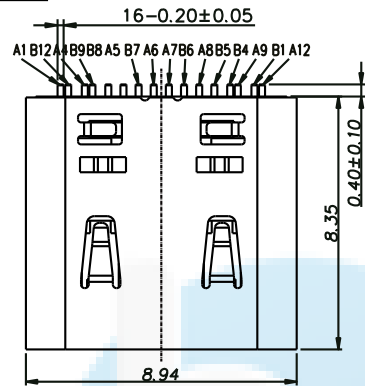


**ROHS**  
Compatible



**NOTE:**

**1.MATERIAL SPECIFICATION:**

- 1.HOUSING:HIGH TEMPERATURE RESISTANT PLASTIC,UL94 V-0.
- 2.CONTACTS:COPPER ALLOY
- 3.MID PLATE: STAINLESS STEEL

**2.PLATING SPECIFICATION:**

- 2-1.CONTACTS:  
Ni 50u" MIN. UNDER PLATED OVER ALL.  
Au PLATED ON THE FUNCTIONAL AREA OF CONTACT.  
(GOLD PLATING THICKNESS FOLLOW THE P/N)  
GOLD FLASH PLATING ON SOLDER AREA

**2-2.FRONT SHELL:**

- Ni 30u" MIN. UNDER PLATED OVER ALL.

**3.MECHANICAL PERFORMANCE,**

- 3-1.INSERTION FORCE: 0.5~2.0kgf.
- 3-2.REMOVAL FORCE: 0.8kgf~2.0kgf.
- 3-3.DURABILITY: 10000 CYCLES.

**4.ELECTRICAL PERFORMANCE,**

- 4-1. CURRENT RATING: 5A  
VOLTAGE RATING: 20V
- 4-2.INSULATION RESISTANCE: 100MΩ MIN
- 4-3.DIELECTRIC WITHSTAND VOLTAGE,AC 100V FOR 1 MINUTE.
- 4-4.LOW CONTACT RESISTANCE: INITIAL 40mΩ  
AFTER 50mΩ

**5. ENVIRONMENTAL PERFORMANCE:**

- OPERATING TEMPERATURE: -30°C~+80°C.

**6.IR REFLOW:**

- THE PEAK TEMPERATURE ON THE BOARD SHALL BE MAINTAINED FOR 10 SECONDS AT 260°C.

U5 092- 16P x x 8.35L  
↓ ↓ ↓ ↓ ↓ ↓  
名称 流水号 PIN位 N;母座 T;带弹 L;长度

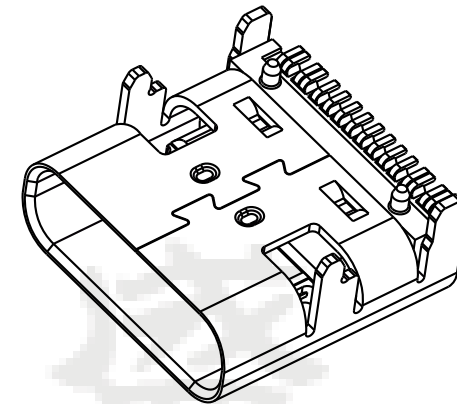
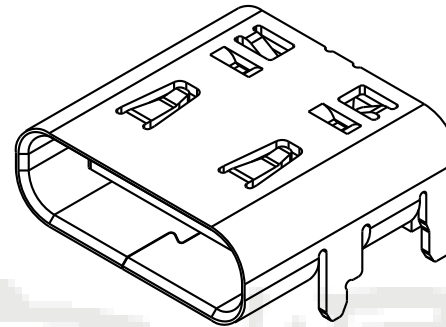
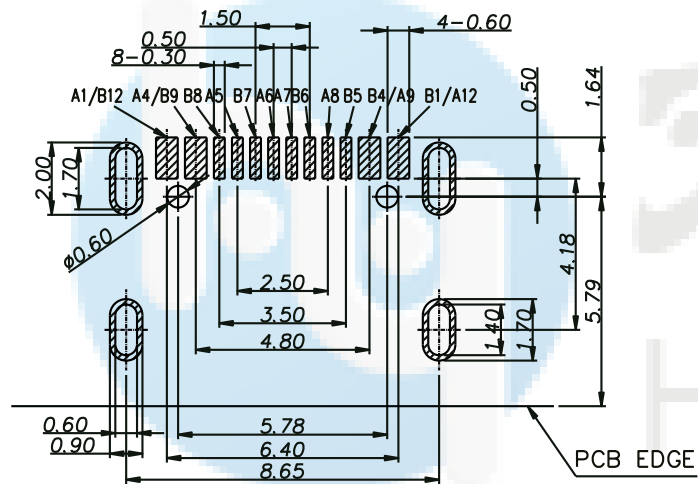
DESIGN	Li Jinwei	SC ALL	
DRAWING	Wu Qifa	UNIT	mm
CHECK	Zheng Jinxian	SIZE	A4: 210 * 297
APPROVAL	Liu Xiaohong	DATE	2020-06-10

⌀	
TOLERANCE	
X.X ±0.30	X.°±2°
.XX ±0.20	.X° ±1°
.XXX ±0.10	.XX°±0.5°

DRAWG NO.	U5092-16PNT8.35L
TITLE:	16P 板上四脚插板SMT 带弹带柱 8.35L


**东莞市宏煜盛实业有限公司**  
 Dongguan hongyusheng Industry Co., Ltd  
 TEL: 0769-81230179 <https://www.hystypec.com>

**ROHS**  
Compatible



**USB TYPE-C PIN ASSIGNMENTS**

PIN NUMBER	SIGNAL NAME
A1	GND
A4	VBUS
A5	CC1
A6	Dp1
A7	Dn1
A8	SBU1
A9	VBUS
A12	GND

PIN NUMBER	SIGNAL NAME
B12	GND
B9	VBUS
B8	SBU2
B7	Dn2
B6	Dp2
B5	CC2
B4	VBUS
B1	GND

DESIGN	Li Jinwei	SC ALL	
DRAWING	Wu Qifa	UNIT	mm
CHECK	Zheng Jinxian	SIZE	A4: 210 * 297
APPROVAL	Liu Xiaohong	DATE	2020-06-10

TOLERANCE	
X.X ±0.30	X.°±2°
.XX ±0.20	.X°±1°
.XXX ±0.10	.XX°±0.5°

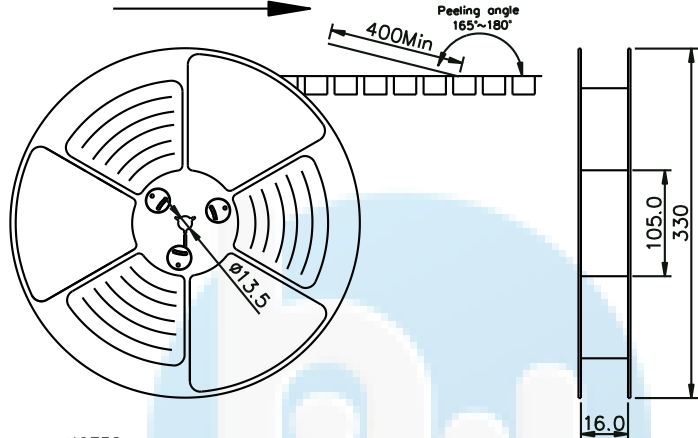
DRAWG NO.	U5092-16PNT8.35L
TITLE:	16P 板上四脚插板SMT 带弹带柱 8.35L



**东莞市宏煜盛实业有限公司**  
Dongguan hongyusheng Industry Co., Ltd  
TEL: 0769-81230179 <https://www.hystypec.com>

**ROHS**  
Compatible

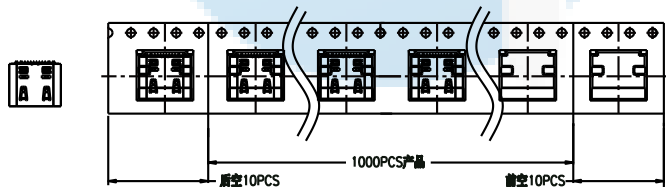
出料方向  
PULL OUT DIRECTEON



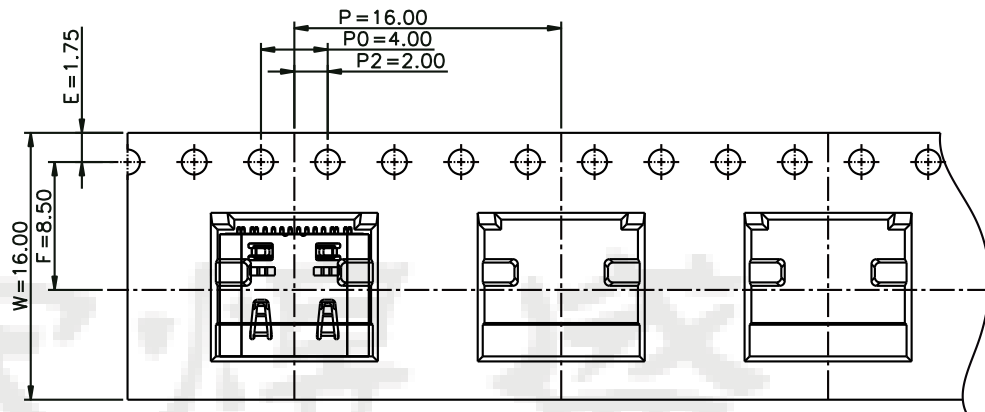
NOTES

1. 帶子引導長度  
LEAD TAPE LENGTH

出料方向  
PULL OUT DIRECTEON

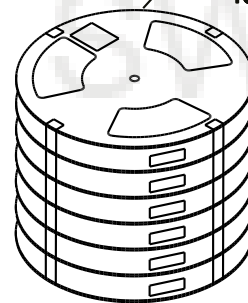


2. 上帶剝力為: 0.1~1.3N(10.2gf~130gf)  
PEELING OFF FORCE OF TOP TAPE: 0.1~1.3N(10.2gf~130gf)  
出貨運輸過程中一定注意:  
THIS REQUIREMENT SHOULD BE APPLIED AT SHIPMENT:  
卷帶在運輸過程中不能散開  
PEELING OFF SHOULD NOT BE ALLOWED DURING TRANSPORTATION



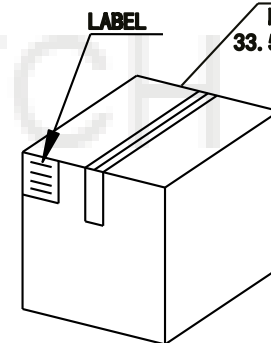
TAPE & REEL 10 PCS

1 REEL  
= 1000 PCS



BOX

DIMENSIONS:  
33.5X33.5X30.5



1 CARTON  
=14 REELS  
=14000 PCS

包裝明細表 (The detail of the packing)						
產品料號 (Product No.)	包裝容量 (Packing Capacity)			重量 Weight (Kg)		
	pcs/box	boxes/Carton	Pcs/Box	N.W./Pcs	N.W./Box	G.W./Box
U5092-16PNT8.35L	1000	14	14000	—	—	—

DESIGN	Li Jinwei	SC ALL		 TOLERANCE X.X ±0.30 X.°±2° .XX ±0.20 .X°±1° .XXX ±0.10 .XX°±0.5°
DRAWING	Wu Qifa	UNIT	mm	
CHECK	Zheng Jinxian	SIZE	A4: 210 * 297	
APPROVAL	Liu Xiaohong	DATE	2020-06-10	

DRAWG NO.  
U5092-16PNT8.35L  
TITLE:  
16P 板上四脚插板SMT 带弹带柱 8.35L



**东莞市宏煜盛实业有限公司**  
Dongguan hongyusheng Industry Co., Ltd  
TEL: 0769-81230179 <https://www.hystypec.com>