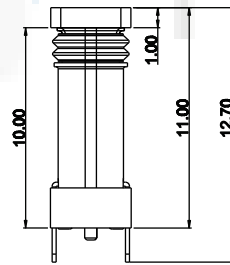
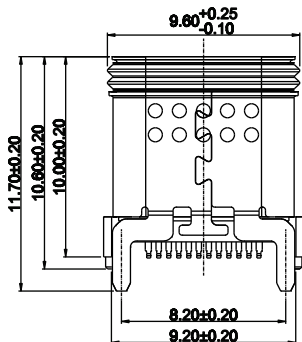
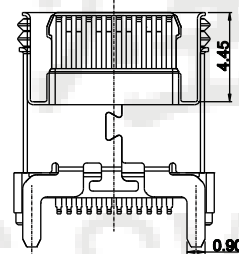
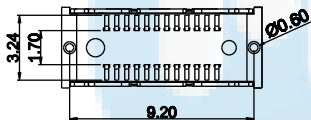
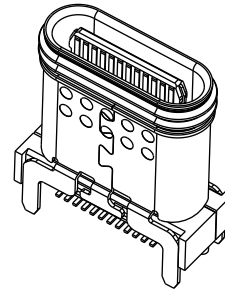
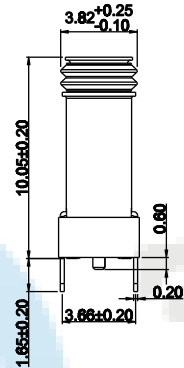
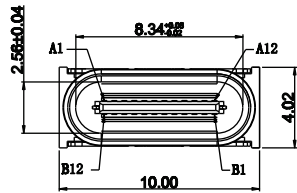
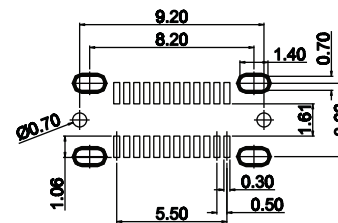


ROHS
Compatible



WITH CAP HEIGHT



RECOMMEND P.C.B LAYOUT
TOLERANCE UNSPECIFIED ±0.05mm

NOTES :

- 1.MATERIAL : SEE TABLE
- 2.ELECTRICAL CHARACTERISTIC:
 - 2-1: CONTACT CURRENT RATING:
VBUS AND GND CONTACTS RATED AT 1.25A EA,
PARALLELED FOR A TOTAL OF 5A.
 - 2-2: LOW LEVEL CONTACT RESISTANCE:
40 MILLIOHMS MAX. FOR VBUS,GND AND OTHER CONTACTS.
50 MILLIOHMS MAX. AFTER ENVIRONMENT TEST.
 - 2-3: DIELECTRIC WITHSTANDING VOLTAGE: 100VAC (RMS)MIN.
 - 2-4: INSULATION RESISTANCE: 100 MEGOHMS MIN.
- 3.MECHANICAL CHARACTERISTIC:
 - 3-1: INSERTION FORCE: 5~20N.
 - 3-2: EXTRACTION FORCE: 8~20N,AFTER 10000 MATING:6~20N.
 - 3-3: DURABILITY: 10000 CYCLES.
 - 3-4: OPERATING TEMPERATURE: -55°C ~ +85°C.
 - 3-5: CAN MEET USB 2.0+ POWER DELIVERY.
 - 3-6: IR REFLOW TEMPERATURE:245±5°C
- 4.THE CONNECTOR COMPLIANT TO ROHS AND HALOGEN FREE.
- 5.MEET USB TYPE C STANDARD SPECIFICATION.
- 6.MEET WATERPROOF STANDARD SPECIFICATION IP68.

U5 412- 24P x 10.0L x
 ↓ ↓ ↓ ↓ ↓ ↓
 名称 流水号 PIN位 N;母座 L;长度 F;防水

PIN ASSIGNMENT												
A1	A2	A3	A4	A5	A6	A7	A8	A9	A10	A11	A12	SHELL
GND	TX1+	TX1-	VBUS	CC1	D+	D-	SBU1	VBUS	RX2-	RX2+	GND	
												GND
GND	RX1+	RX1-	VBUS	SBU2	D-	D+	CC2	VBUS	TX2-	TX2+	GND	
B12	B11	B10	B9	B8	B7	B6	B5	B4	B3	B2	B1	

⑦ O-RING	1	SILICONE RUBBER	BLACK
⑥ TOP CONTACT	12	C7025	NI 60μ MIN AND AU 1μ PLATED ON CONTACT POINT NI 60μ MIN AND TIN 100μ MIN PLATED ON SOLDER AREA
⑤ BOTTOM CONTACT	12	C7025	NI 60μ MIN AND AU 1μ PLATED ON CONTACT POINT NI 60μ MIN AND TIN 100μ MIN PLATED ON SOLDER AREA
④ SHELL	1	SUS304	WELDABLE NI 36μN PLATED OVERALL
③ EMC SHELL	1	SUS316	WATER CLEAN
② HOUSING	1	LCP	BLACK/UL94V-0
① MIDDLE PLATE	1	SUS301	WATER CLEAN
NO. DESCRIPTION	QTY	MATERIAL	THE PLATING

DESIGN	Li Jinwei	SC ALL	
DRAWING	Wu Qifa	UNIT	mm
CHECK	Zheng Jinxian	SIZE	A4: 210 * 297
APPROVAL	Liu Xiaohong	DATE	2020-06-10

TOLERANCE	
X.X ±0.30	X.°±2°
.XX ±0.20	.X°±1°
.XXX ±0.10	.XX°±0.5°

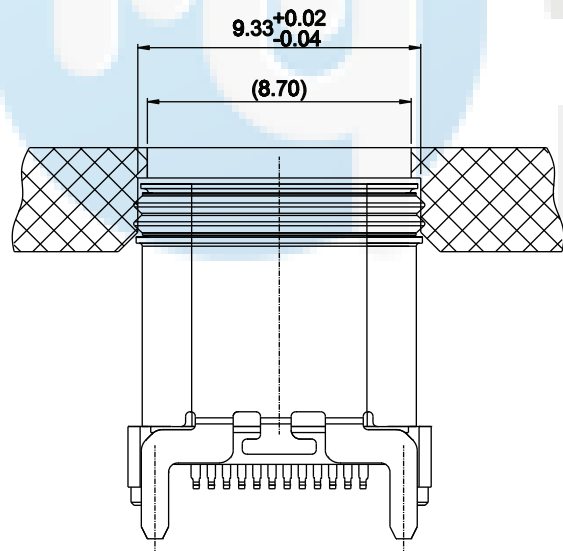
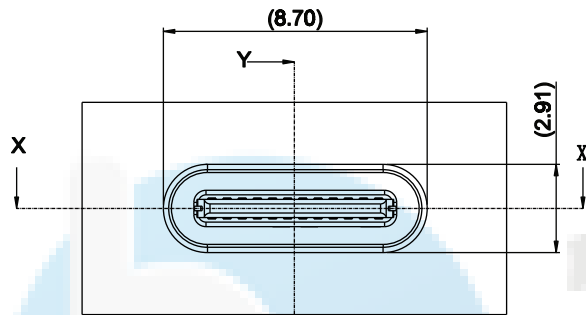
DRAWG NO.	U5412-24PN10.0LF
TITLE:	防水24P 立式四脚插板SMT 带柱 10.0L IP68



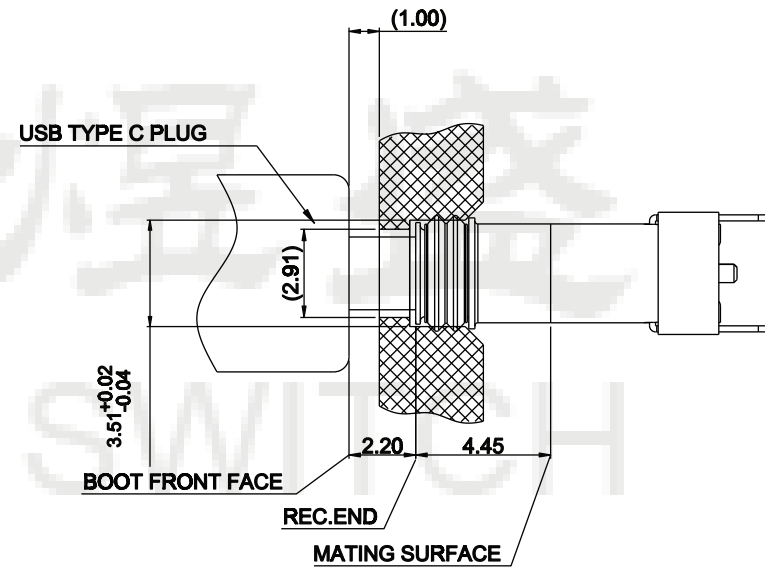
东莞市宏煜盛实业有限公司
 Dongguan hongyusheng Industry Co., Ltd
 TEL: 0769-81230179 <https://www.hystypec.com>

ROHS
Compatible

RECOMMENDED OPENING DIMENSIONS OF CASE MATING
AREA WITH SEALING RING




SECTION X-X



SECTION Y-Y

DESIGN	Li Jinwei	SC ALL	
DRAWING	Wu Qifa	UNIT	mm
CHECK	Zheng Jinxian	SIZE	A4: 210 * 297
APPROVAL	Liu Xiaohong	DATE	2020-06-10

	
TOLERANCE	
X.X ±0.30	X.°±2°
.XX ±0.20	.X°±1°
.XXX ±0.10	.XX°±0.5°

DRAWG NO.	U5412-24PN10.0LF
TITLE:	防水24P 立式四脚插板SMT 带柱 10.0L IP68



东莞市宏煜盛实业有限公司

Dongguan hongyusheng Industry Co., Ltd

TEL: 0769-81230179 <https://www.hystypec.com>