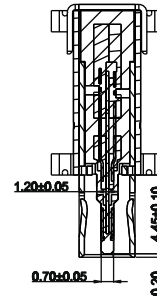
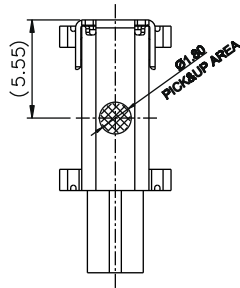


ROHS
Compatible

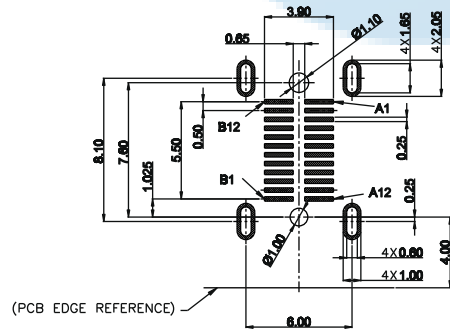
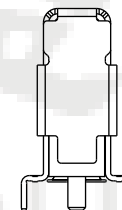
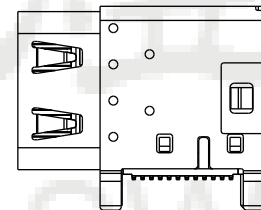
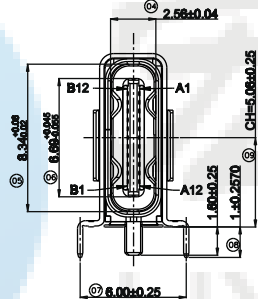
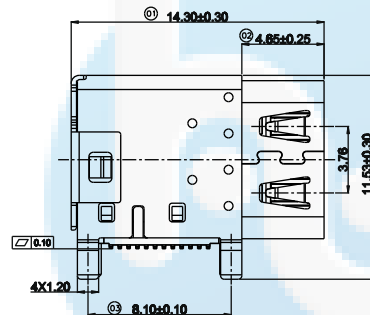
**CONTACT PLATING
OPTION:
GOLD FLASH
3u" GOLD
15u" GOLD
30u" GOLD**



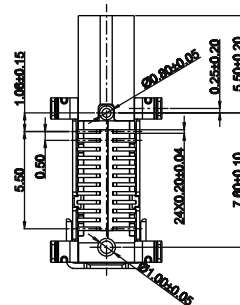
SPECIFICATION

- CURRENT RATING : 5.0A FOR Vbus PIN,
1.25A FOR Vconn PIN,
0.25A FOR OTHER PINS.
- CONTACT RESISTANCE : 40mΩ.
- INSULATION RESISTANCE : 1000MΩ MIN.
- DIELECTRIC WITHSTANDING VOLTAGE : 500 VAC MIN.
- OPERATING TEMPERATURE : -40°C TO +85°C.
- MATING FORCE : 5~20N.
- UNMATING FORCE : 8~20N.
- DURABILITY : 10,000 CYCLES.
- RECOMMENDED PROCESS :
THE PEAK TEMPERATURE ON THE BOARD SHALL
MAINTAIN 260°C.

U5 146- 24P x x 14.3L
名称 流水号 PIN位 N;母座 T;带弹 L;长度



RECOMMENDED P.C.B LAYOUT
TOLERANCE ± 0.05mm (TOP VIEW)



PIN ASSIGNMENT

A1	A2	A3	A4	A5	A6	A7	A8	A9	A10	A11	A12
GND	TX1-	TX1+	Vbus	CC1	D+	D-	SBU1	Vbus	RX2-	RX2+	GND
GND	RX1-	RX1+	Vbus	SBU2	D-	D+	CC2	Vbus	TX2-	TX2+	GND
B12	B11	B10	B9	B8	B7	B6	B5	B4	B3	B2	B1
5	TERMINAL	24	COPPER ALLOY	MATING SIDE: Au PLATING; SOLDER TAIL: Gold FLASH, 50u" NICKEL OVERALL.				T=0.12			
4	OUT SHELL	1	STAINLESS STEEL	NICKEL PLATING				T=0.30			
3	MAIN SHELL	1	STAINLESS STEEL	NICKEL PLATING				T=0.30			
2	MID PLATE	1	STAINLESS STEEL	NICKEL PLATING				T=0.15			
1	MAIN HOUSING	1	HIGH TEMPERATURE					BLACK UL94V-0			
ITEM	DESCRIPTION	QTY	MATERIAL					FINISH	REMARK		

BILL OF MATERIAL

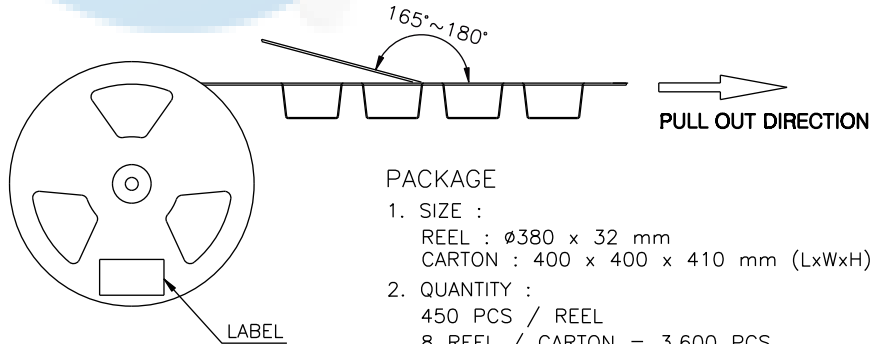
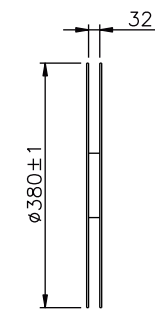
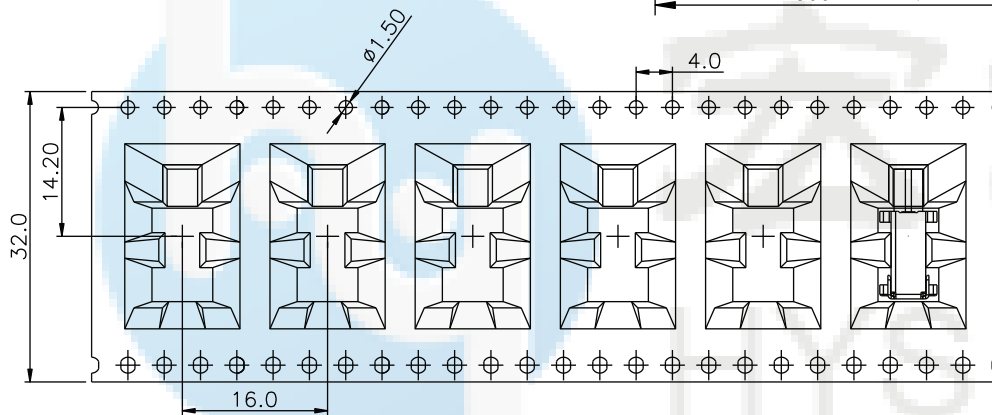
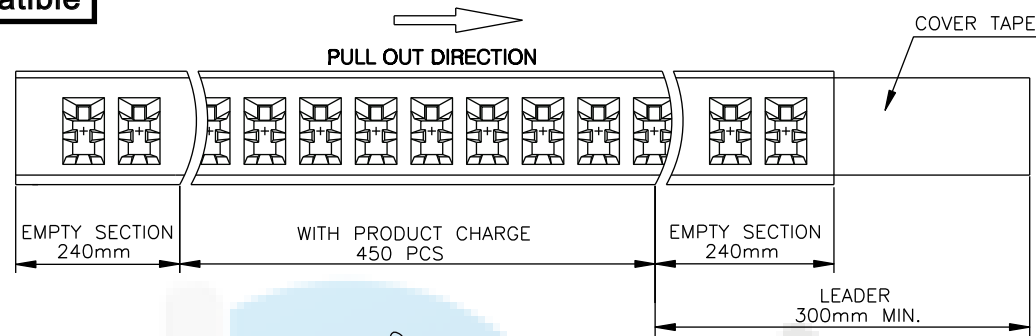
DESIGN	Li Jinwei	SCALL	
DRAWING	Wu Qifa	UNIT	mm
CHECK	Zheng Jinxian	SIZE	A4: 210 * 297
APPROVAL	Liu Xiaohong	DATE	2020-06-10

TOLERANCE	
X.X ±0.30	X.° ±2°
.XX ±0.20	.X° ±1°
.XXX ±0.10	.XX° ±0.5°

DRAWG NO.	U5146-24PNT14.3L
TITLE:	24P 侧插双壳带柱带弹SMY 14.30L

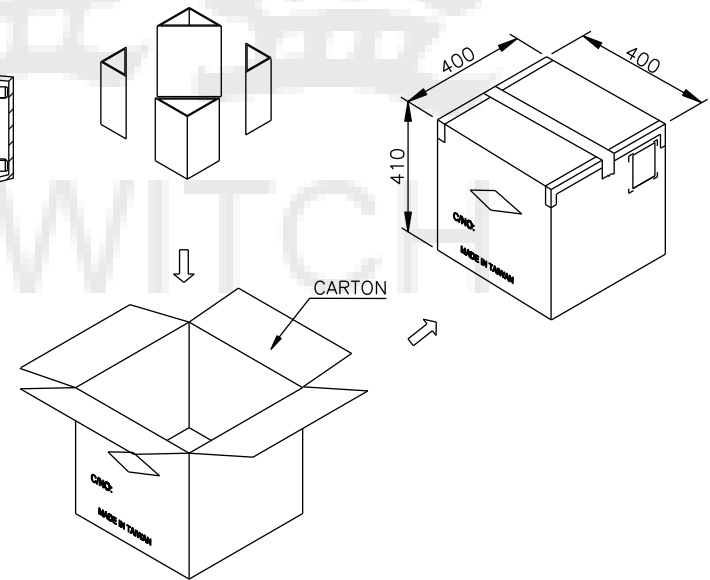
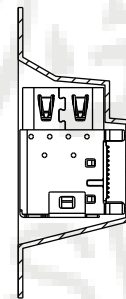
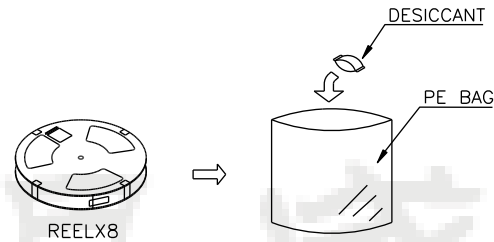
东莞市宏煜盛实业有限公司
Dongguan hongyusheng Industry Co., Ltd
TEL: 0769-81230179 <https://www.hystypec.com>

ROHS
Compatible



PACKAGE

1. SIZE :
REEL : $\phi 380 \times 32$ mm
CARTON : 400 x 400 x 410 mm (LxWxH)
2. QUANTITY :
450 PCS / REEL
8 REEL / CARTON = 3,600 PCS



DESIGN	Li Jinwei	SCALL	
DRAWING	Wu Qifa	UNIT	mm
CHECK	Zheng Jinxian	SIZE	A4: 210 * 297
APPROVAL	Liu Xiaohong	DATE	2020-06-10

ϕ	
TOLERANCE	
X.X ± 0.30	X. $^{\circ} \pm 2^{\circ}$
.XX ± 0.20	.X. $^{\circ} \pm 1^{\circ}$
.XXX ± 0.10	.XX. $^{\circ} \pm 0.5^{\circ}$

DRAWG NO.	U5146-24PNT14.3L
TITLE:	24P 侧插双壳带柱带弹SMY 14.30L


东莞市宏煜盛实业有限公司
 Dongguan hongyusheng Industry Co., Ltd
 TEL: 0769-81230179 <https://www.hystypec.com>