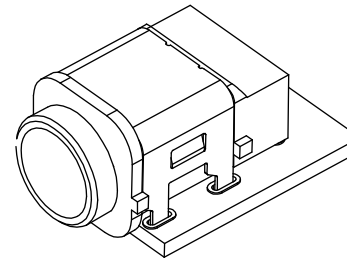
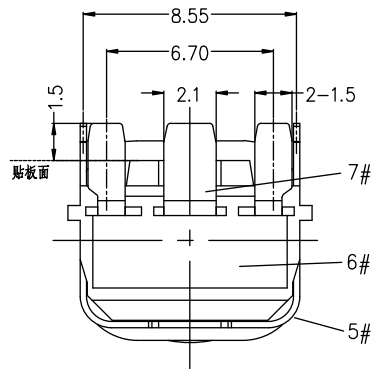
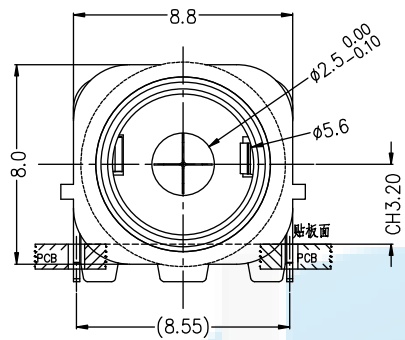
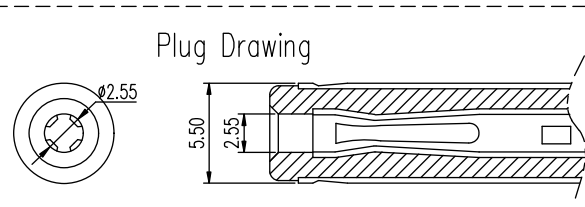
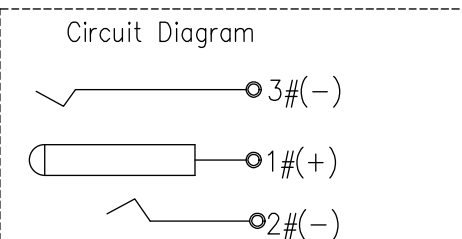
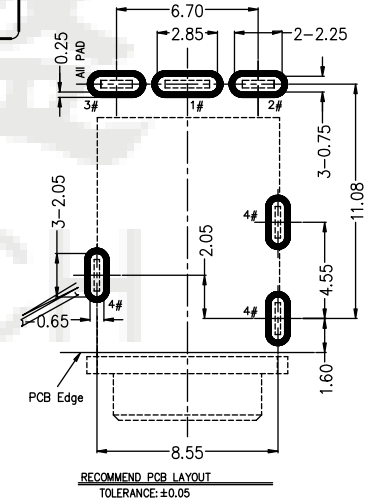
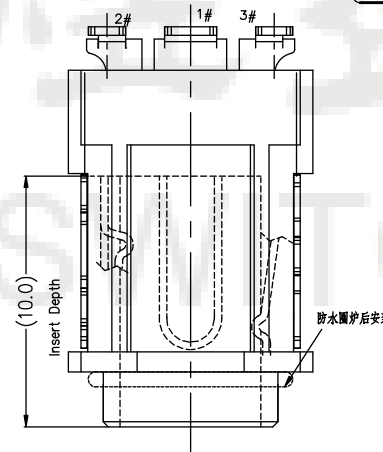
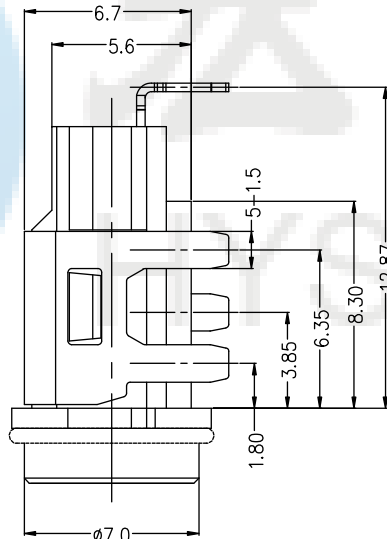
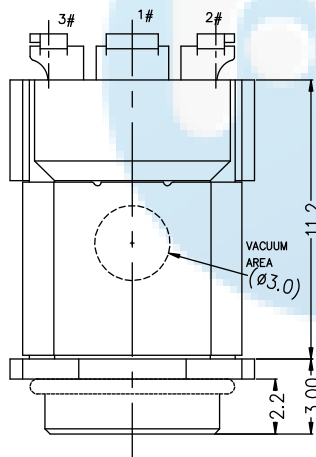


ROHS
Compatible



Notes:

- 1.Current Rating: 20V&10A Max.
- 2.Contact Resistance: 50mOhms Max.(initial)
- 3.Insulation Resistance: 100M Ohms Min./500V DC
- 4.Dielectric Withstanding Voltage: 500V AC/1Minute
- 5.Mating Force: 35N Max, Withdrawal Force: 3N Min.
- 6.Durability: 5,000 Cycles
- 7.Operating Temperature: -25°C to+85°C



7	BOND	EPOXY	Black
6	Cover	High.	Black;UL 94-V0
5	Housing	Thermoplastics	
4	Shell	Copper Alloy	Ni Plated OverAll
3	Switch(-)		
2	Spring(-)		
	Center Pin(+)		
Item	Name	Material	Description

DESIGN	Li Jinwei	SCALL	
DRAWING	Wu Qifa	UNIT	mm
CHECK	Zheng Jinxian	SIZE	A4: 210 * 297
APPROVAL	Liu Xiaohong	DATE	2020-06-10

TOLERANCE	
X.X ±0.30	X.°±2°
.XX ±0.20	.X°±1°
.XXX ±0.10	.XX°±0.5°

DRAWG NO.	DC-034F-2.0
TITLE:	防水 DC插座 IPX7

东莞市宏煜盛实业有限公司
Dongguan hongyusheng Industry Co., Ltd
TEL: 0769-81230179 <https://www.hystypec.com>