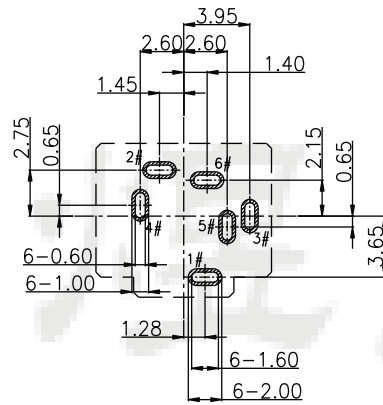
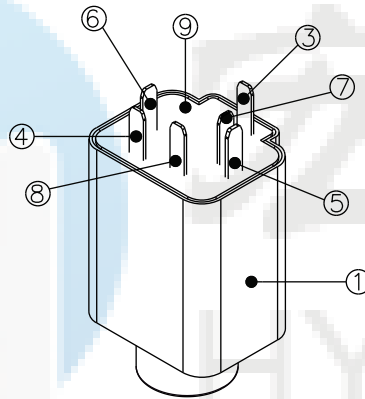
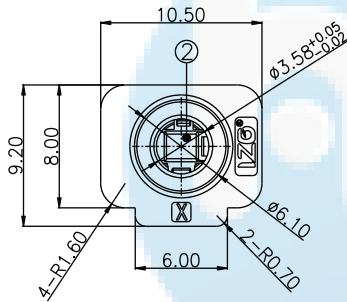
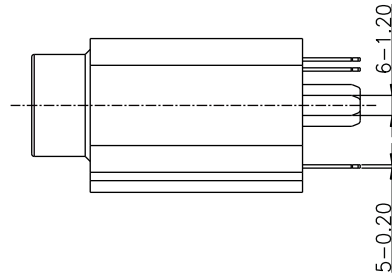
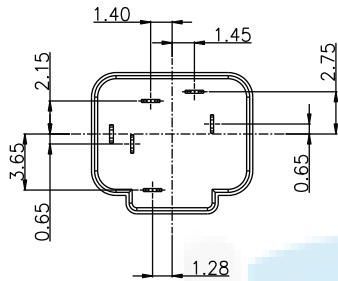


**ROHS**  
Compatible



RECOMMEND PCB LAYOUT  
TOLERANCE: ±0.05

NOTES:

1. MATERIAL: SEE "TABLE 1";
2. FINISH: SEE "TABLE 1";
3. ELECTRICAL:
  - 3.1. VOLTAGE RATING: 12 VAC RMS;
  - 3.2. CURRENT RATING: 1 AMP;
  - 3.3. CONTACT RESISTANCE: 50mΩ Max.(Initial), 100mΩ Max.(After Life test);
  - 3.4. INSULATION RESISTANCE: 100 MΩ Min., 500VDC.(Initial), 50 MΩ Min., 500VDC.(After Humidity test);
  - 3.5. WITHSTAND VOLTAGE: 500 VAC RMS 50(60)Hz, 1 minute;
4. MECHANICAL:
  - 4.1. MATING FORCE: 3.0Kgf MAX.;
  - 4.2. UNMATING FORCE: 0.3Kgf MIN.;
  - 4.3. OPERATING LIFE: 5000 CYCLES MIN.;
5. ENVIRONMENTAL:
  - 5.1. OPERATION: -25°C~+85°C.

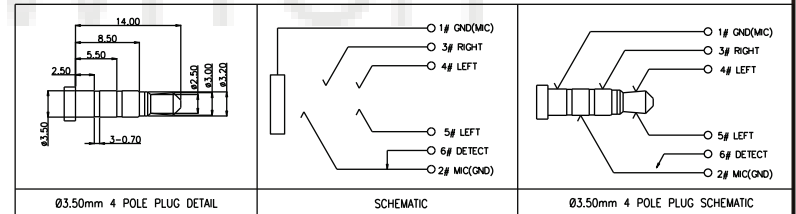
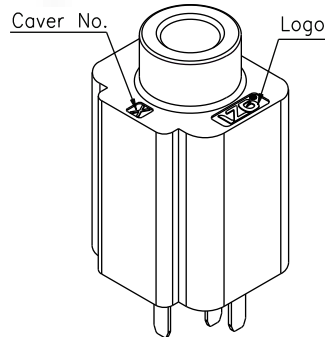
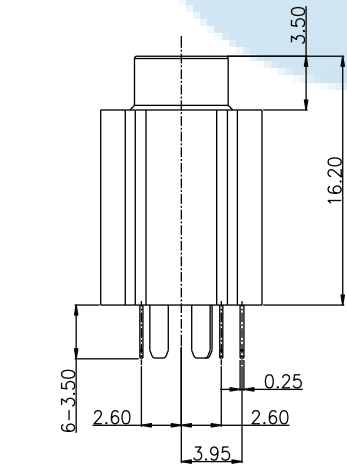


TABLE 1:

ITEM	NAME	Q'TY	DESCRIPTION
⑨	GULE	1	EPOXY;BLACK
⑧	TERMINAL 6#	1	BRASS; NICKEL UNDER PLATING OVERALL, GOLD PLATING ON CONTACT AREA, Sn PLATING ON SOLDER AREA;
⑦	TERMINAL 5#	1	STAINLESS STEEL; NICKEL UNDER PLATING OVERALL,Sn PLATING ON CONTACT AND SOLDER AREA;
⑥	TERMINAL 4#	1	STAINLESS STEEL; NICKEL UNDER PLATING OVERALL,Sn PLATING ON CONTACT AND SOLDER AREA;
⑤	TERMINAL 3#	1	COPPER ALLOY; NICKEL UNDER PLATING OVERALL,Sn PLATING ON CONTACT AND SOLDER AREA;
④	TERMINAL 2#	1	COPPER ALLOY; NICKEL UNDER PLATING OVERALL,GOLD PLATING ON CONTACT AREA, Sn PLATING ON SOLDER AREA;
③	TERMINAL 1#	1	COPPER ALLOY; NICKEL UNDER PLATING OVERALL,Sn PLATING ON CONTACT AND SOLDER AREA;
②	COVER	1	HIGH TEMPERATURE PLASTIC; COLOR BLACK
①	HOUSING	1	HIGH TEMPERATURE PLASTIC; COLOR BLACK

DESIGN	Li Jinwei	SCALL		 TOLERANCE X.X ±0.30 X.°±2° .XX ±0.20 .X°±1° .XXX ±0.10 .XX°±0.5°
DRAWING	Wu Qifa	UNIT	mm	
CHECK	Zheng Jinxian	SIZE	A4: 210 * 297	
APPROVAL	Liu Xiaohong	DATE	2020-06-10	

DRAWG NO. HYS23031-06DBAP-A  
TITLE: Ø3.5mm 防水耳机插座 IPX7



**东莞市宏煜盛实业有限公司**  
Dongguan hongyusheng Industry Co., Ltd  
TEL: 0769-81230179 <https://www.hystypec.com>