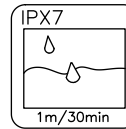
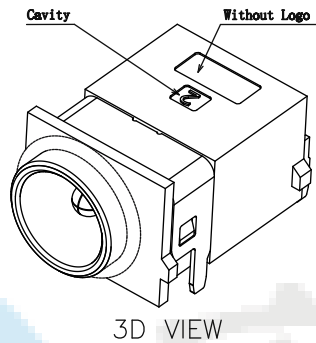
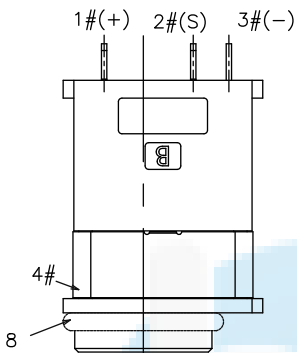
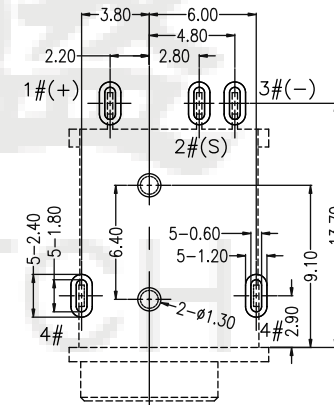
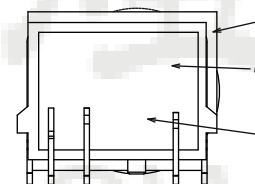
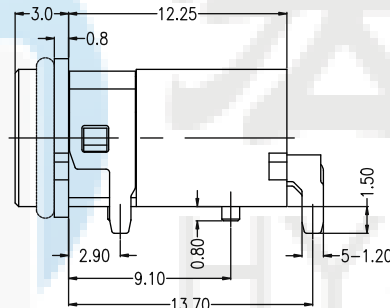
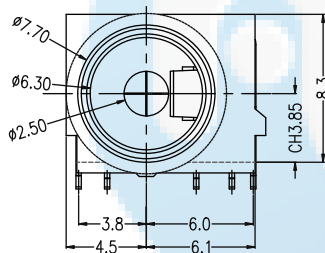


ROHS
Compatible

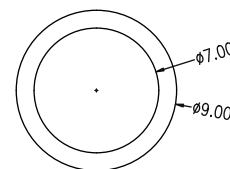
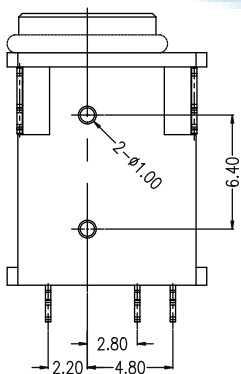


NOTES

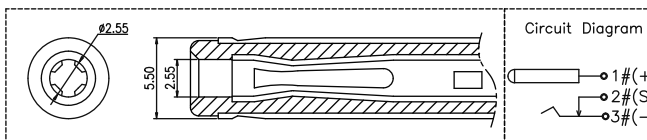
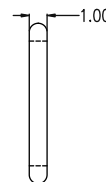
1. Current Rating: 24V & 5A Max.
2. Contact Resistance: 50m Ohms Max.(initial)
3. Insulation Resistance: 100M Ohms Min./500V DC
4. Dielectric Withstanding Voltage: 500V AC/1Minute
5. Mating Force: 35N Max, Withdrawal Force: 3N Min.
6. Durability: 5,000 Cycles
7. Operating Temperature: -25°C to +85°C
8. WATER PROOFNESS: THIS PRODUCT IS BASED ON IPX7.



PCB LAYOUT (TOP VIEW)
TOLERANCE: ± 0.05



WHITE WATERPROOF RING



Not to install the waterproof ring shipment

NO.	DESCRIPTION	MATERIAL	REMARKS	QTY
	WATERPROOF RING	SILICONE	WHITE	1
	GLUE	EPOXY	COLOR BLACK	1
	BACK COVER	HIGH TEMPERATURE	COLOR BLACK	1
	HOUSING	HIGH TEMPERATURE	COLOR BLACK	1
4	TERMINAL 4#	STAINLESS STEEL	NICKEL PLATING OVERALL	1
3	TERMINAL 3#	COPPER ALLOY	NICKEL UNDERPLATING OVERALL, Au PLATING ON THE SOLDER AREA	1
2	TERMINAL 2#	COPPER ALLOY	NICKEL UNDERPLATING OVERALL, Au PLATING ON THE WHOLE	1
1	CENTER PIN	COPPER ALLOY	NICKEL UNDERPLATING OVERALL, Au PLATING ON THE SOLDER AREA	1

DESIGN	Li Jinwei	SCALL		 TOLERANCE X.X ± 0.30 X. $^{\circ} \pm 2^{\circ}$.XX ± 0.20 .X. $^{\circ} \pm 1^{\circ}$.XXX ± 0.10 .XX $^{\circ} \pm 0.5^{\circ}$
DRAWING	Wu Qifa	UNIT	mm	
CHECK	Zheng Jinxian	SIZE	A4: 210 * 297	
APPROVAL	Liu Xiaohong	DATE	2020-06-10	

DRAWG NO.	DC-002F-2.5
TITLE:	防水DC插座 IPX7

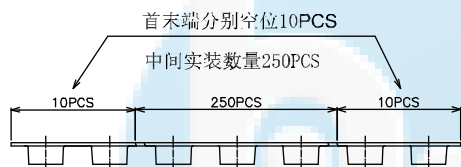


东莞市宏煜盛实业有限公司
Dongguan hongyusheng Industry Co., Ltd
TEL: 0769-81230179 <https://www.hystypec.com>

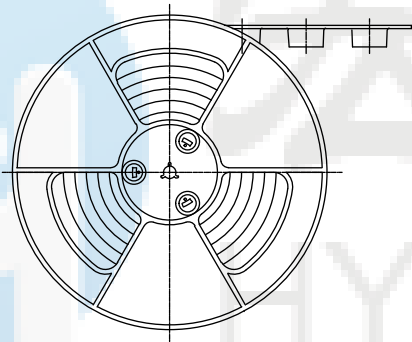
ROHS
Compatible

备注:

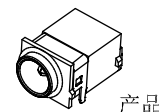
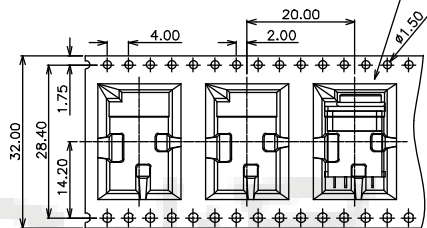
1. 每载盘内必须放干燥剂;
2. 每箱必须按照要求增加PE防水袋包装;
3. 参考《高温材料管理规定》进行作业;
4. 条码+二维码标签和交货标签按客户要求制作;



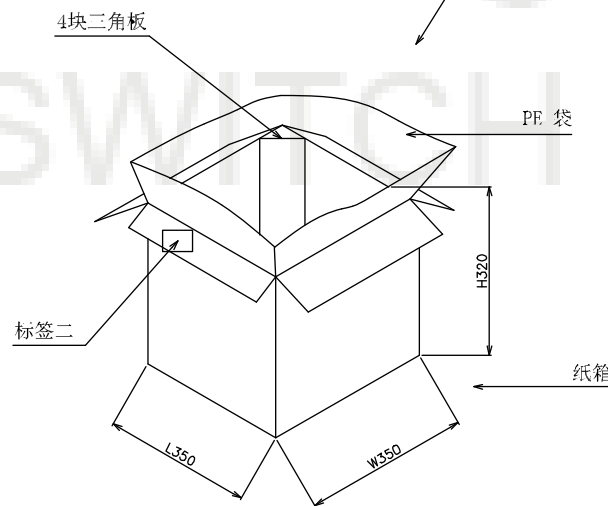
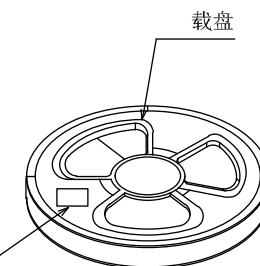
1载带=250PCS
1外箱=250PCSX10盘载带=2500PCS



卷盘包装示意



载盘



包材名称	材料及厚度(mm)	规格(mm)
载带	P.S(白色透明)T=0.30	8800X24.00X7.9
载盘	HI P.S(蓝色)	φ330X28.40
自粘带	PET(白色透明)	W=21.30 T=0.06
纸箱	K=K	350X350X320
PE袋	PE	10X1PE袋(1个PE袋250个防水圈)

DESIGN	Li Jinwei	SCALL		 TOLERANCE X.X ±0.30 X.°±2° .XX ±0.20 .X°±1° .XXX ±0.10 .XX°±0.5°
DRAWING	Wu Qifa	UNIT	mm	
CHECK	Zheng Jinxian	SIZE	A4: 210 * 297	
APPROVAL	Liu Xiaohong	DATE	2020-06-10	

DRAWG NO.	DC-002F-2.5
TITLE:	防水DC插座 IPX7



东莞市宏煜盛实业有限公司
Dongguan hongyusheng Industry Co., Ltd
TEL: 0769-81230179 <https://www.hystypec.com>