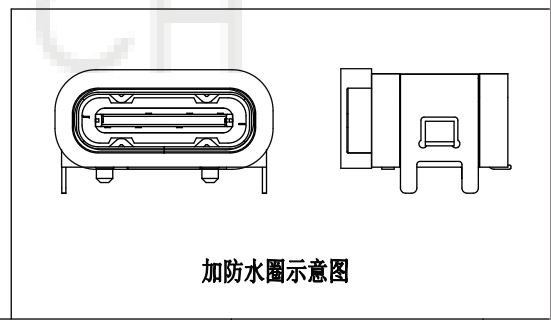
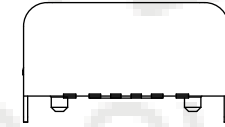
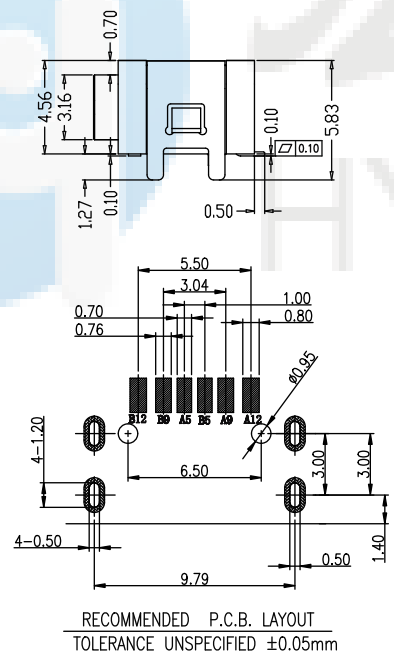
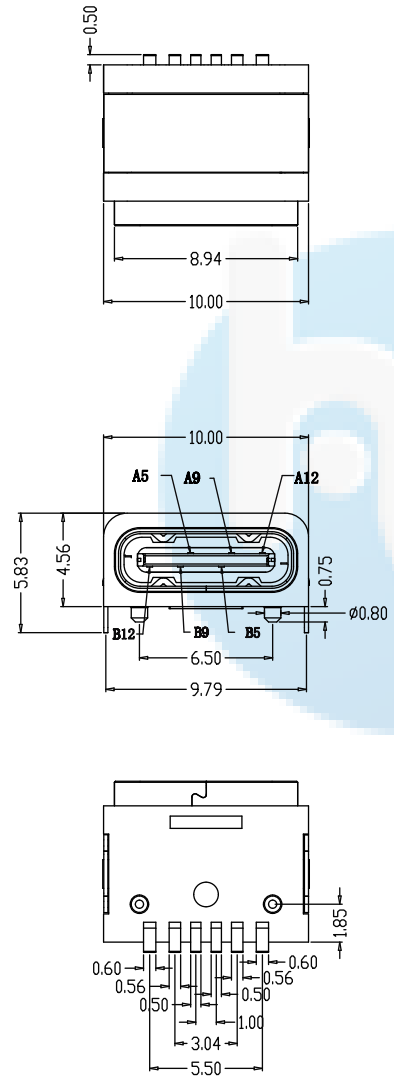
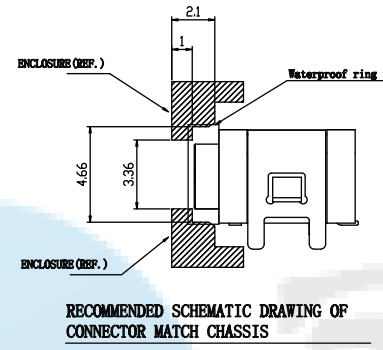


ROHS
Compatible

- NOTES:
SPECIFICATION:
1. CURRENT RATING: 3.0A MAX
 2. VOLTAGE: 100 VAC
 3. TEMPERATURE RANGE: -30 ° C ~ 85 ° C
 4. CONTACT RESISTANCE: 40 MILLIONHM MAX
 5. INSULATION RESISTANCE: 100 MEGOHMS MIN.
 6. LNSERTION FORCE : 5N~20N
 7. UNMATING FORCE: 8N~20N
 8. DURABILITY: 10,000 CYCLES
 9. WATER PROOFNESS: THIS PRODUCT IS BASED ON IPX4



B12	GND
B9	VBUS
B5	CC2
A5	CC1
A9	VBUS
A12	GND
PIN	SIGNAL NAME

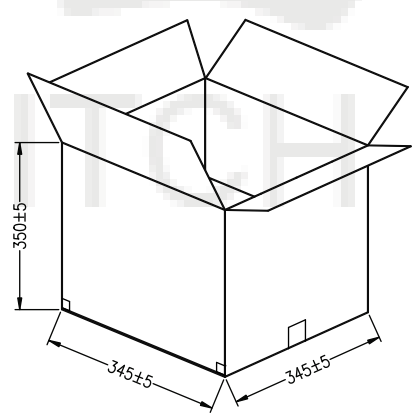
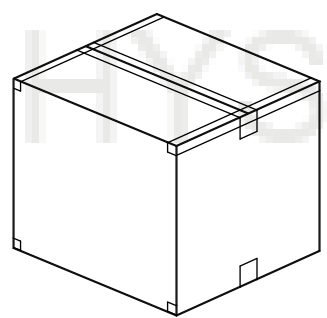
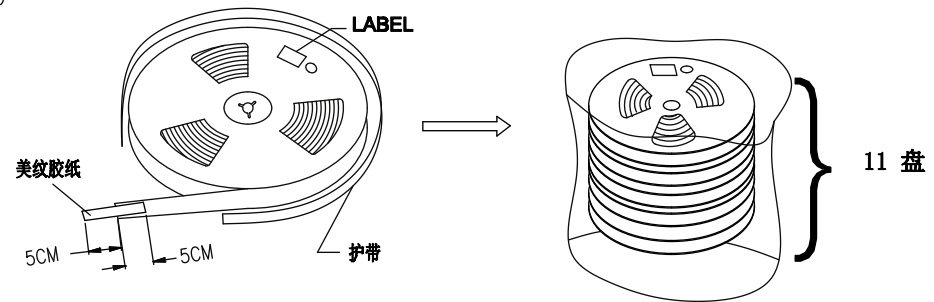
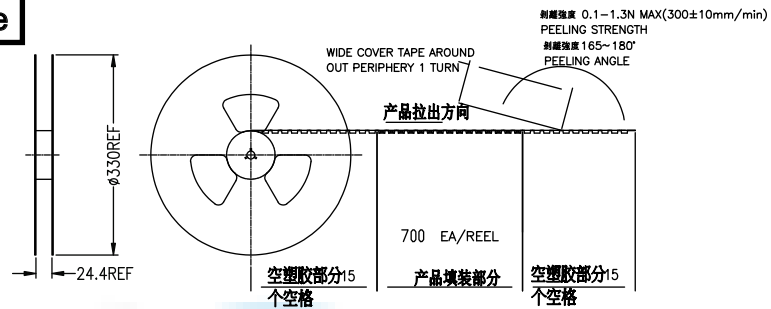
NO.	DESCRIPTION	MATERIAL	REMARKS	QTY
6	防水圈	硅胶	BLACK	1PCS
5	SHELL	STAINLESS STEEL	Ni Plated	1PCS
4	SHIELDING PLATE	STAINLESS STEEL	Ni Plated	1PCS
3	CONTACT	COPPER ALLOY	Au/Ni Plated	1SET
2	SHELL HOUSING	HIGH TEMPERATURE PLASTIC	BLACK	1PCS
1	HOUSING	HIGH TEMPERATURE PLASTIC	BLACK	1PCS

DESIGN	Li Jinwei	SCALL	
DRAWING	Wu Qifa	UNIT	mm
CHECK	Zheng Jinxian	SIZE	A4: 210 * 297
APPROVAL	Liu Xiaohong	DATE	2020-06-10

DRAWG NO.	TYPE-C-DS06PFZ785
TITLE:	防水6P防水板上四脚插板(点胶)7.85L IPX4

东莞市宏煜盛实业有限公司
Dongguan hongyusheng Industry Co., Ltd
TEL: 0769-81230179 <https://www.hystypec.com>

ROHS
Compatible



说明:

- 1, 将检查合格的产品, 放入承载带中, 一盘包装700PCS;
- 2, 将11盘承载带放入纸箱中;
- 3, 将纸箱封装好, 贴上标签.

每箱数量	净重 (Kg)	毛重 (Kg)
7700PCS	xxx	xxx

DESIGN	Li Jinwei	SCALL		 TOLERANCE X.X ±0.30 X.°±2° .XX ±0.20 .X° ±1° .XXX ±0.10 .XX°±0.5°	DRAWG NO.	TYPE-C-DS06PFZ785
DRAWING	Wu Qifa	UNIT	mm		TITLE:	防水6P防水板上四脚插板(点胶)7.85L IPX4
CHECK	Zheng Jinxian	SIZE	A4: 210 * 297			
APPROVAL	Liu Xiaohong	DATE	2020-06-10			

东莞市宏煜盛实业有限公司
Dongguan hongyusheng Industry Co., Ltd
TEL: 0769-81230179 <https://www.hystypec.com>