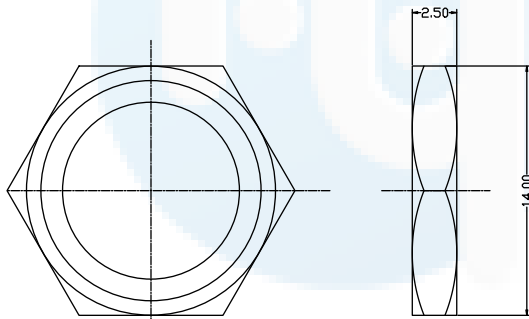
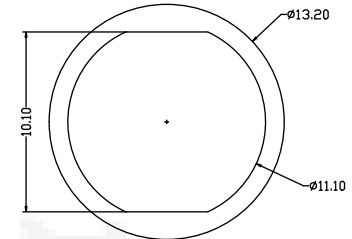
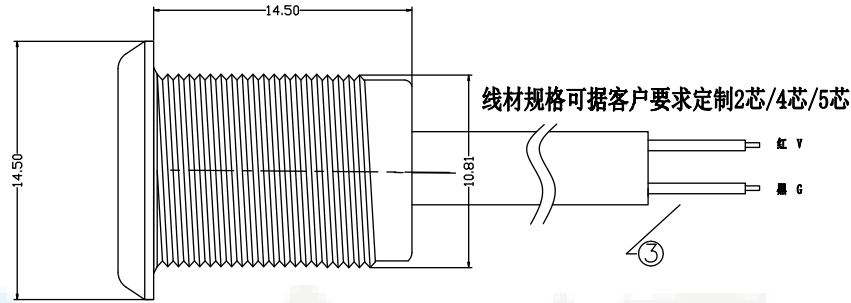
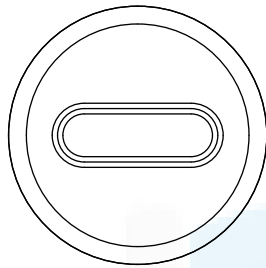
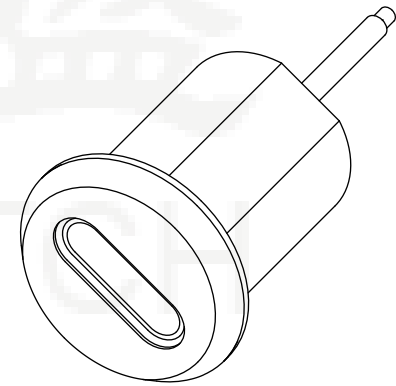
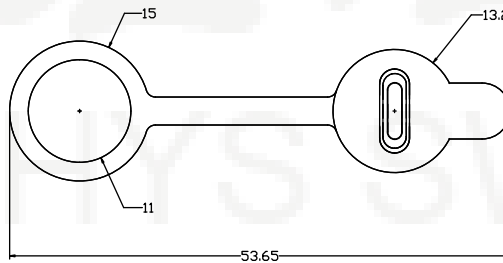


**ROHS**  
Compatible



螺母标配铁镀白锌，可定制不锈钢/铜。



料号: HYS-TS023X-HXXX-P/

"TS"表示TYPEC  
 "023"焊线系列  
 B= (吸塑盒) ; R= (袋装)  
 "H"表示高度  
 表示尺寸  
 表示PIN数

**SPECIFICATION**

1. Rating:DC5V/9V 3A:
2. Contact resistance: $\leq 0.03 \Omega$  :
3. Insulation resistance: $\geq 100M \Omega$  (DC250V)
4. Withstand voltage:500VAC:
5. Insertion and extraction force:5-20N
6. Life test:10000 cycles:.

|          |               |        |               |  |
|----------|---------------|--------|---------------|--|
| DESIGN   | Li Jinwei     | SC ALL |               | <br><b>TOLERANCE</b><br>X.X $\pm 0.30$ X. $^{\circ} \pm 2^{\circ}$<br>.XX $\pm 0.20$ .X $^{\circ} \pm 1^{\circ}$<br>.XXX $\pm 0.10$ .XX $^{\circ} \pm 0.5^{\circ}$ |
| DRAWING  | Wu Qifa       | UNIT   | mm            |  |
| CHECK    | Zheng Jinxian | SIZE   | A4: 210 * 297 |  |
| APPROVAL | Liu Xiaohong  | DATE   | 2020-06-10    |  |

|           |                 |
|-----------|-----------------|
| DRAWG NO. | TYPE-C-OM02302P |
| TITLE:    | TYPE-C 2P焊线带外螺牙 |



**东莞市宏煜盛实业有限公司**  
 Dongguan hongyusheng Industry Co., Ltd  
 TEL: 0769-81230179 <https://www.hystypec.com>