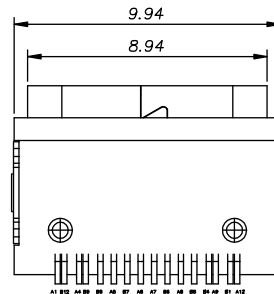
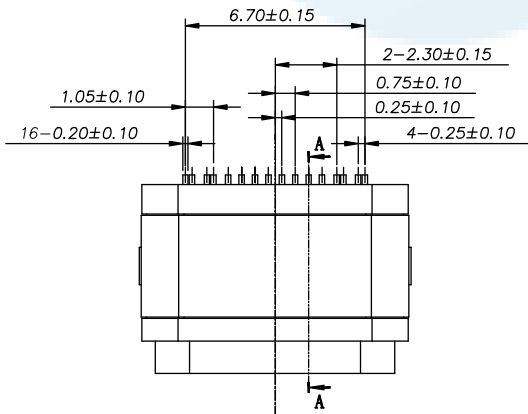
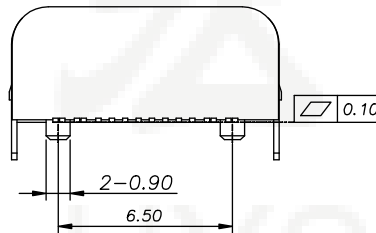
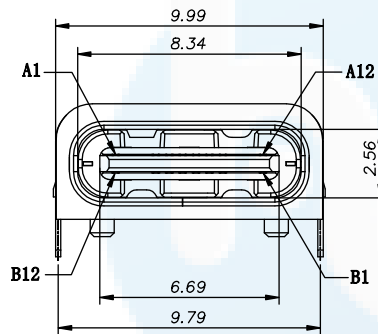
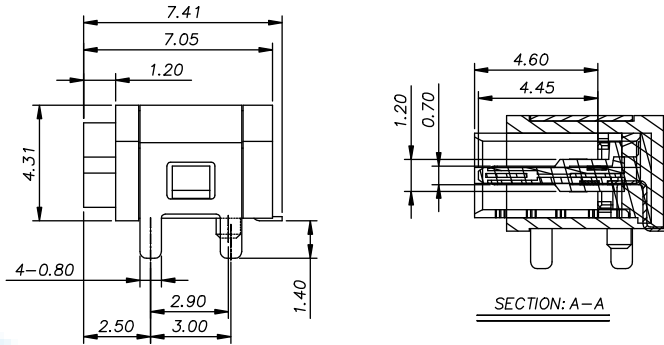
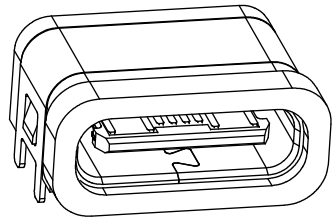


ROHS
Compatible



NOTE:

1.MATERIAL SPECIFICATION:

- 1.HOUSING:HIGH TEMPERATURE RESISTANT PLASTIC,UL94 V-0.
- 2.SHELL HOUSING:HIGH TEMPERATURE RESISTANT PLASTIC,UL94 V-0.
- 3.CONTACTS: COPPER ALLOY
- 4.SHIELD PLATE: STAINLESS STEEL
- 5.SHELL: STAINLESS STEEL
- 6.O-RING: SILICONE RUBBER,BLACK

2.PLATING SPECIFICATION:

2-1.CONTACTS:

- Ni 50u" MIN. UNDER PLATED OVER ALL.
- Au 1u" ON THE FUNCTIONAL AREA OF CONTACT.
- Gold Flash ON THE SOLDER AREA OF CONTACT.

2-2.SHELL:

- Ni 30u" MIN. UNDER PLATED OVER ALL.

2-3.SHIELD PLATE:

- Ni 30u" MIN. UNDER PLATED OVER ALL.

3.MECHANICAL PERFORMANCE,

- 3-1.INSERTION FORCE: 5~20N.
- 3-2.REMOVAL FORCE: 8~20N.
- 3-3.DURABILITY: 10000 CYCLES.

4.ELECTRICAL PERFORMANCE,

- 4-1. CURRENT RATING: 3.0A
- VOLTAGE RATING: 5.0V

4-2. LLCR:

- VBUS & GND PINS AND OTHER PINS: 40mΩ/PIN MAX.
- SHIELD: 50mΩ/MAX.
- LLCR MAX. CHANGE OF ALL PINS: 10mΩ.

4-3.INSULATION RESISTANCE: 100MΩ MIN

4-4.DIELECTRIC WITHSTAND VOLTAGE,AC 100V FOR 1 MINUTE.

5.ENVIRONMENTAL PERFORMANCE:

OPERATING TEMPERATURE: -30?~+85?.

6.IR REFLOW:

THE PEAK TEMPERATURE ON THE BOARD SHALL
BE MAINTAINED FOR 10 SECONDS AT 260°C.

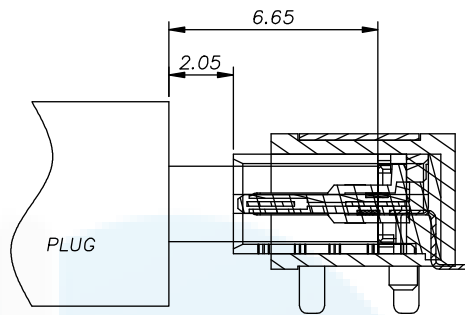
7. WATER PROOFNESS:THISPRODUCTIS BASED ON IPX7.

DESIGN	Li Jinwei	SCALL		 TOLERANCE X.X ±0.30 X.°±2° .XX ±0.20 .X°±1° .XXX ±0.10 .XX°±0.5°	DRAWG NO.	TYPE-C-DS16PFZ735
DRAWING	Wu Qifa	UNIT	mm		TITLE:	防水16P板上型四脚插板SMT 7.35L IPX7
CHECK	Zheng Jinxian	SIZE	A4: 210 * 297			
APPROVAL	Liu Xiaohong	DATE	2020-06-10			

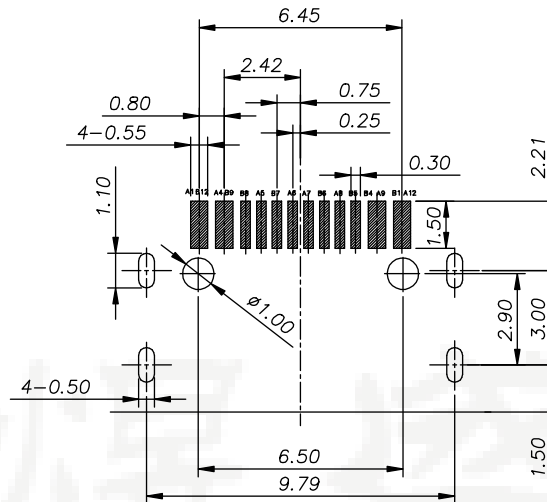


东莞市宏煜盛实业有限公司
Dongguan hongyusheng Industry Co., Ltd
TEL: 0769-81230179 <https://www.hystypec.com>

ROHS
Compatible



AFTER MATING

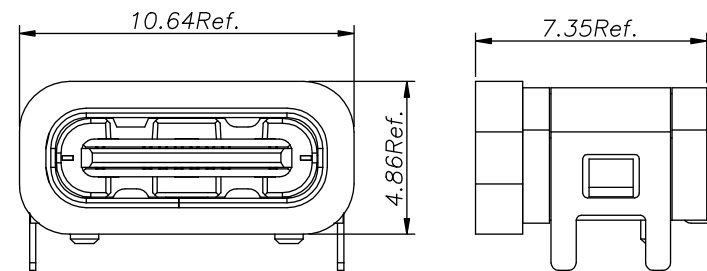


RECOMMENDED P.C.B. LAYOUT

TOLERANCE UNSPECIFIED $\pm 0.05\text{mm}$

USB TYPE-C PIN ASSIGNMENTS

A1	GND	B12	GND
A4	VBUS	B9	VBUS
A5	CC1	B8	SBU2
A6	DP1	B7	DN2
A7	DN1	B6	DP2
A8	SBU1	B5	CC2
A9	VBUS	B4	VBUS
A12	GND	B1	GND
PIN	SIGNAL NAME	PIN	SIGNAL NAME



WITH O-RING

16

DESIGN	Li Jinwei	SCALL		 TOLERANCE X.X ± 0.30 X. $^{\circ} \pm 2^{\circ}$.XX ± 0.20 .X. $^{\circ} \pm 1^{\circ}$.XXX ± 0.10 .XX. $^{\circ} \pm 0.5^{\circ}$	DRAWG NO.	TYPE-C-DS16PFZ735
DRAWING	Wu Qifa	UNIT	mm		TITLE:	防水16P板上型四脚插板SMT 7.35L IPX7
CHECK	Zheng Jinxian	SIZE	A4: 210 * 297			
APPROVAL	Liu Xiaohong	DATE	2020-06-10			



东莞市宏煜盛实业有限公司
Dongguan hongyusheng Industry Co., Ltd
TEL: 0769-81230179 <https://www.hystypec.com>