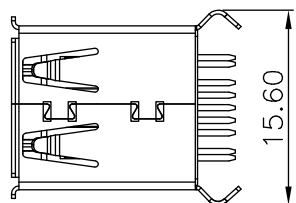
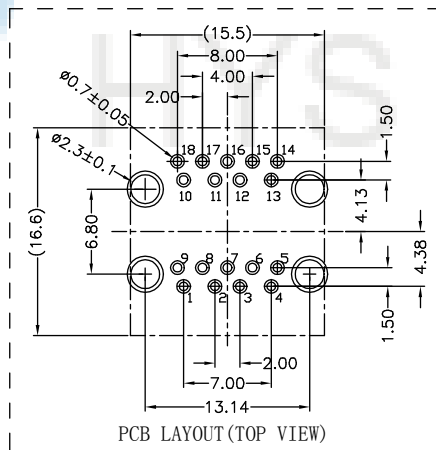
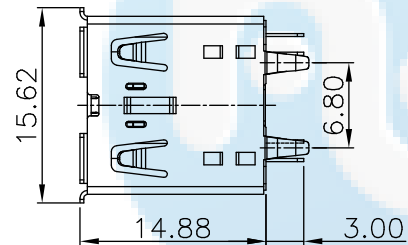
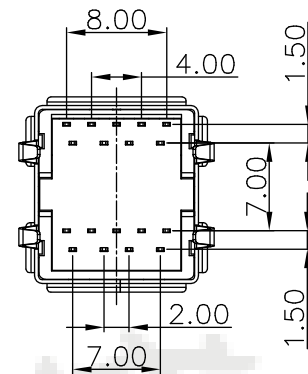
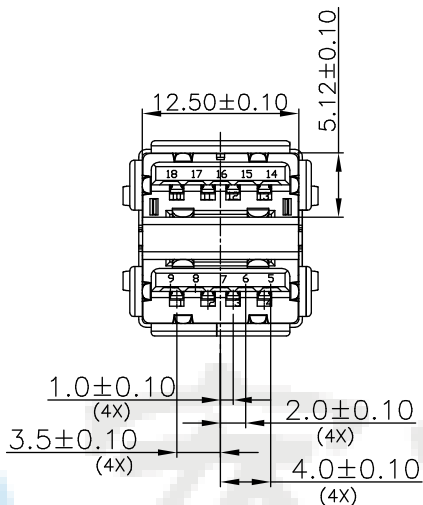
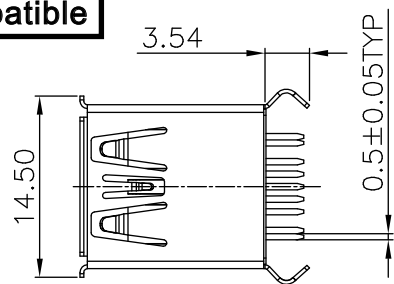


ROHS
Compatible



SPECIFICATIONS:

Contact current Rating:
 1.8 Amperes for pin1&pin4.
 0.25 Amperes other contacts
 Dielectric Withstanding Voltage:AC 100V(RMS)
 Insulation resistance:100Megohms Minimum.
 Contact Resistance:
 30mΩ Max for pin1&pin4
 50mΩMax for other contacts
 Mechanical Characteristics:
 Mating Force:35 Newtoms.Maximum
 Unmating Force:10 Newtoms.Mlimum.
 MATERIAL: 8N Min After Durability
 Housing: PBT+30%GF 94V-0 COLOR:BLUE
 Contact: copper alloy(T=0.25mm)
 Shell: Brass
 PLATING:
 Contact: Au Plated on contact area
 Tin Plated on solder area
 Nickel underplating over all
 Shell: Nickel Plated
 operating Temperature:-55°to+85°

| | | | |
|----------|---------------|-------|---------------|
| DESIGN | Li Jinwei | SCALL | |
| DRAWING | Wu Qifa | UNIT | mm |
| CHECK | Zheng Jinxian | SIZE | A4: 210 * 297 |
| APPROVAL | Liu Xiaohong | DATE | 2020-06-10 |

| | |
|-----------|-----------------|
| | |
| TOLERANCE | |
| X.X | ±0.30 X.°±2° |
| .XX | ±0.20 .X°±1° |
| .XXX | ±0.10 .XX°±0.5° |

| | |
|-----------|---------------------|
| DRAWG NO. | USB-30AF-LDJK15Q |
| TITLE: | USB3.0AF双层180度DIP弯脚 |


东莞市宏煜盛实业有限公司
 Dongguan hongyusheng Industry Co., Ltd
 TEL: 0769-81230179 <https://www.hystypec.com>