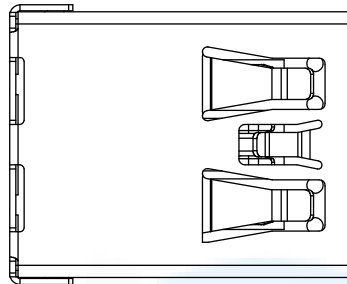
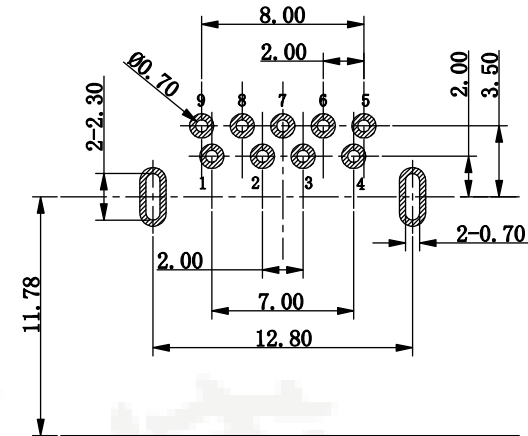


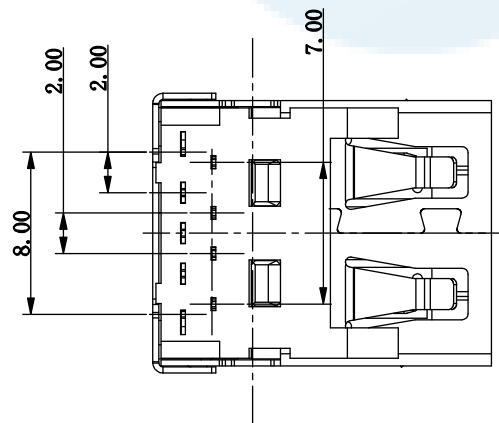
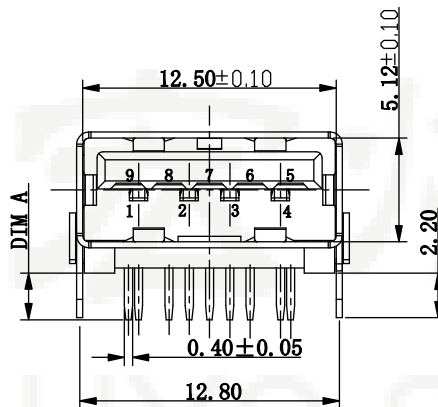
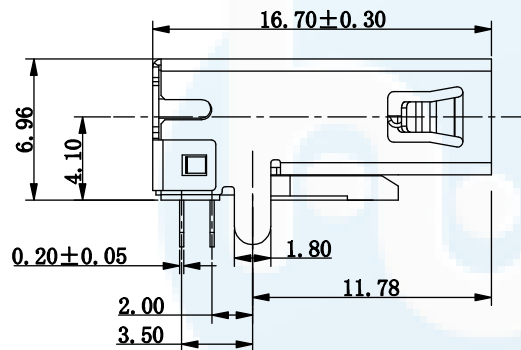
ROHS
Compatible



DIMA
2.10
2.30



RECOMMENDED PCBA LAYOUT
(TOLERANCE+±0.05)



NOTE:

1. MATERIAL:
 - 1.1 INSULATOR:HIGH TEMPERATURE PLASTIC
 - 1.2 CONTACT:BRONZE
 - 1.3 SHELL:SUS201
2. ELECTRICAL CHARACTERISTICS;
 - 2.1 CONTACTRESISTANCE:30mΩ MAX
 - 2.2 CONTACT CURRENT RATING:1.5A
 - 2.3 DIELECTRIC WITHSTANDING VOLTAGE:100 V R. M. S.
 - 2.4 INSULATION RESISTANCE 100 MΩ MIN
 - 2.5 OPERATING TEMPERATURE:-20° C ~ 60° C
- 3 MECHANICAL CHARACTERISTICS:
 - 3.1 MATING FORCE:3.57kgf MAX
 - 3.2 UNMATING FORCE:1.02kgf MIN
 - 3.3 DURABILITY:MANDATORY:1,500 CYCLES
4. PLATING
 - 4.1 TERMINAL:
 - 50u" MIN NICKEL ALL OVER
 - 80u"MIN Tin ON SOLDER AREA
 - (1~30)u"Au ON CONTACT AREA
 - 4.2 SHELL:80u"MIN. NICEL ALL OVER
5. "XX" FOR MAJOR DIM
6. "XX" FOR FAI DIM

Pin NUMBER	SIGNAL NAME
1	VBUS
2	D-
3	D+
4	GND
5	StdA_SSRX-
6	StdA_SSRX+
7	GND_DRAIN
8	StdA_SSTX-
9	StdA_SSTX+
Shell	Shield

DESIGN	Li Jinwei	SC ALL	
DRAWING	Wu Qifa	UNIT	mm
CHECK	Zheng Jinxian	SIZE	A4: 210 * 297
APPROVAL	Liu Xiaohong	DATE	2020-06-10

TOLERANCE	
X.X ±0.30	X.°±2°
.XX ±0.20	.X°±1°
.XXX ±0.10	.XX°±0.5°

DRAWG NO.	USB-30AF-DD04
TITLE:	USB 3.0 AF板上90度DIP直脚无卷边



东莞市宏煜盛实业有限公司
Dongguan hongyusheng Industry Co., Ltd
TEL: 0769-81230179 <https://www.hystypec.com>