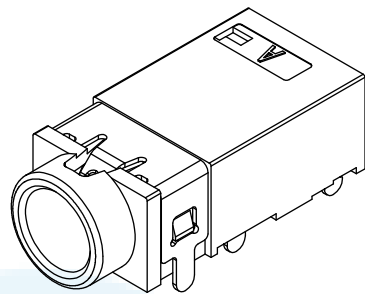
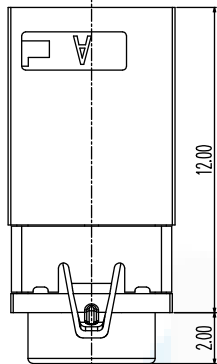
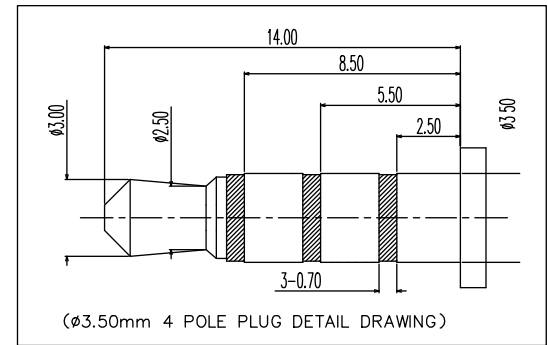


ROHS
Compatible

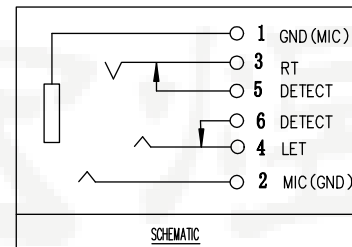
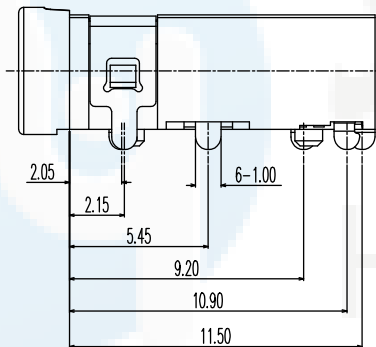
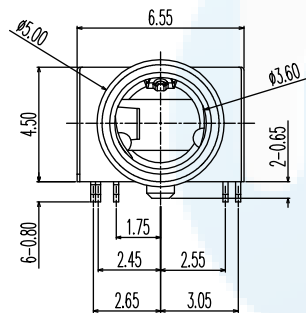


3D VIEW

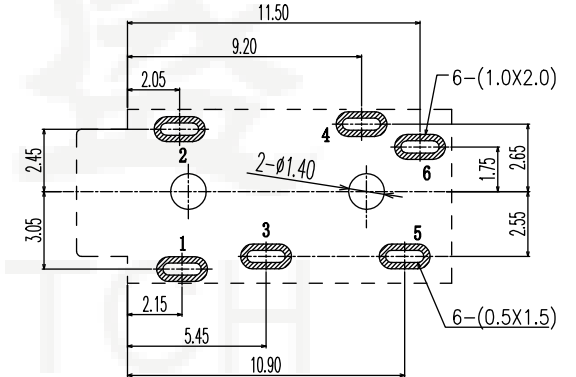
- CONTACT CURRENT RATING: 1A.
- CONTACT RESISTANCE: 50 mΩ MAX.;
- INSULATION RESISTANCE: 100MΩ MIN.;
- DIELECTRIC WITHSTANDING: 500V AC MIN.;
- DURABILITY: 5,000 CYCLES MIN.;
- CONNECTOR MATING FORCES: 30N MAX.;
- CONNECTOR UNMATING FORCES: 3N MIN.;



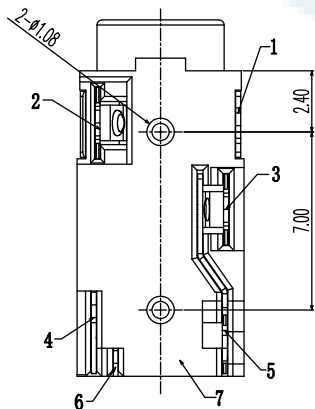
(ø3.50mm 4 POLE PLUG DETAIL DRAWING)



SCHEMATIC



P.C.B LAYOUT
TOP VIEW



| ITEM | NAME | Q'TY | DESCRIPTION | NOTE |
|------|-------------|------|---------------------------------------------------------------------------------------------------------------------|----------|
| 7 | HOUSING | 1 | HIGHT TEMPERATURE PLASTIC COLOR BLACK | |
| 6 | TERMINAL 6# | 1 | COPPER ALLOY; NICKEL UNDER PLATING OVERALL,GOLD FLASH PLATING ON SOLDER AREA | T=0.20mm |
| 5 | TERMINAL 5# | 1 | COPPER ALLOY; NICKEL UNDER PLATING OVERALL,GOLD FLASH PLATING ON SOLDER AREA | T=0.20mm |
| 4 | TERMINAL 4# | 1 | STAINLESS STEEL; NICKEL UNDER PLATING OVERALL,GOLD FLASH PLATING ON SOLDER AREA ;GOLD FLASH PLATING ON CONTACT AREA | T=0.20mm |
| 3 | TERMINAL 3# | 1 | COPPER ALLOY; NICKEL UNDER PLATING OVERALL,GOLD FLASH PLATING ON SOLDER AREA ;GOLD FLASH PLATING ON CONTACT AREA | T=0.20mm |
| 2 | TERMINAL 2# | 1 | COPPER ALLOY; NICKEL UNDER PLATING OVERALL,GOLD FLASH PLATING ON SOLDER AREA ;GOLD FLASH PLATING ON CONTACT AREA | T=0.20mm |
| 1 | TERMINAL 1# | 1 | COPPER ALLOY; NICKEL UNDER PLATING OVERALL,GOLD FLASH PLATING OVERALL; | T=0.20mm |

| DESIGN | Li Jinwei | SCALL | | |
|----------|---------------|-------|---------------|--|
| DRAWING | Wu Qifa | UNIT | mm | |
| CHECK | Zheng Jinxian | SIZE | A4: 210 * 297 | |
| APPROVAL | Liu Xiaohong | DATE | 2020-06-10 | |

| DRAWG NO. | PJ-414 |
|-----------|-------------|
| TITLE: | Φ3.5mm 耳机插座 |

东莞市宏煜盛实业有限公司
Dongguan hongyusheng Industry Co., Ltd
TEL: 0769-81230179 <https://www.hystypec.com>