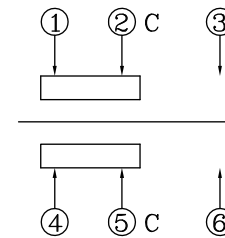
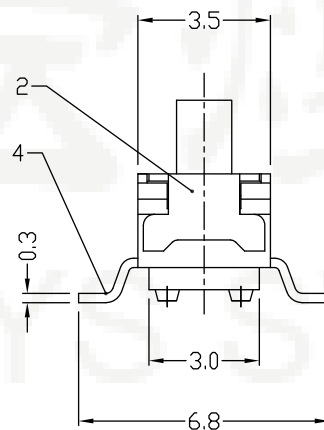
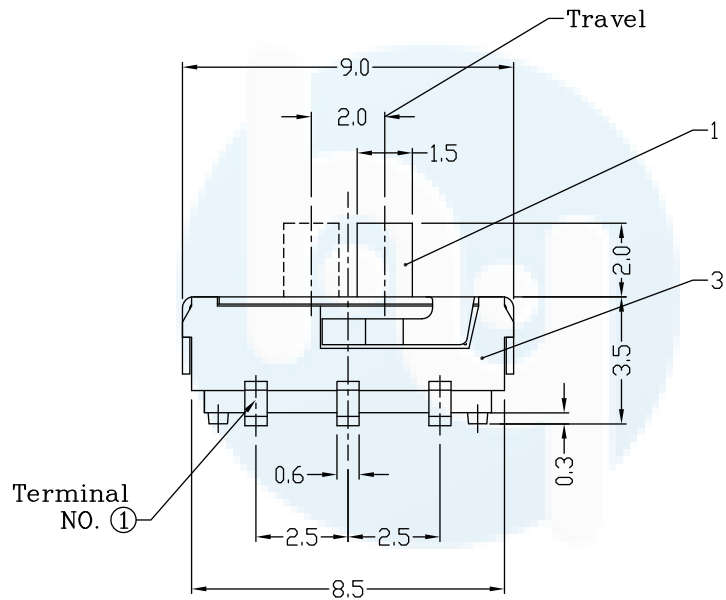
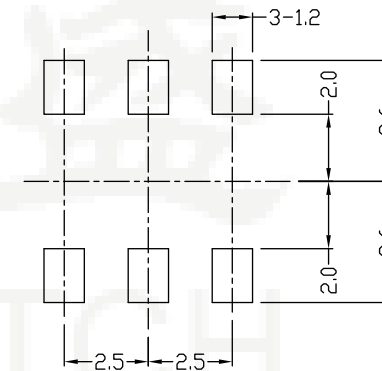


**ROHS**  
Compatible



CIRCUIT DIAGRAM



P.C. BOARD LAYOUT

5	CONTACT CLIP	COPPER ALLOY	2	Ag CLAD
4	TERMINAL	BRASS STRIP	6	Ag PLATED
3	HOUSING	NYLON PA46	1	BLACK
2	METAL COVER	STAINLESS STEEL	1	NATURAL
1	KNOB	NYLON PA46	1	BLACK
NO.	PART NAME	MATERIAL	QTY.	FINISHING

DESIGN	Li Jinwei	SCALL		 TOLERANCE X.X ±0.30 X.°±2° .XX ±0.20 .X°±1° .XXX ±0.10 .XX°±0.5°
DRAWING	Wu Qifa	UNIT	mm	
CHECK	Zheng Jinxian	SIZE	A4: 210 * 297	
APPROVAL	Liu Xiaohong	DATE	2020-06-10	

DRAWG NO. HYS-240  
TITLE: 拨动开关 立式六脚贴片



**东莞市宏煜盛实业有限公司**  
Dongguan hongyusheng Industry Co., Ltd  
TEL: 0769-81230179 <https://www.hystypec.com>