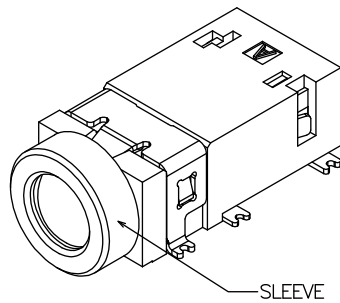
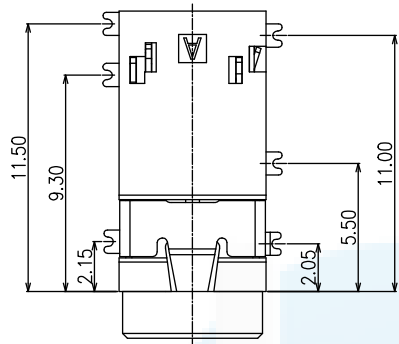
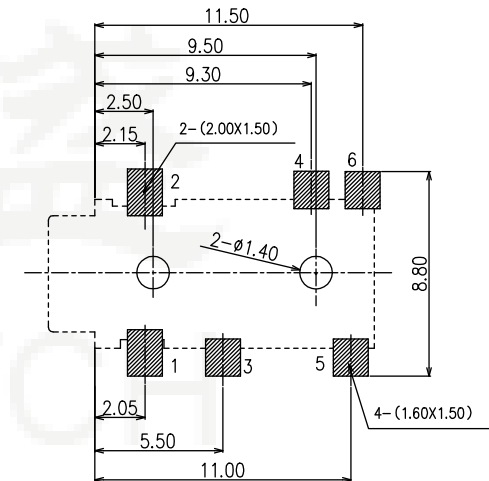
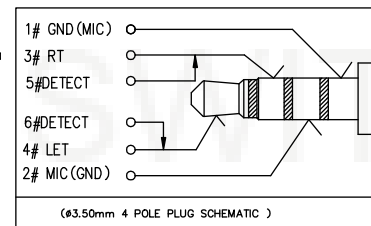
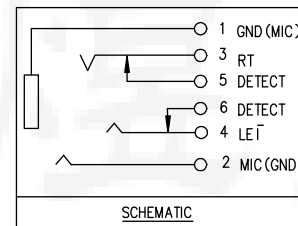
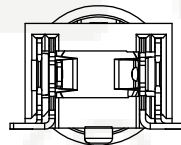
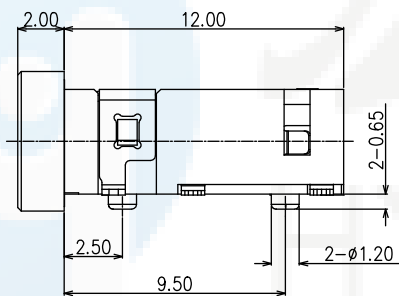
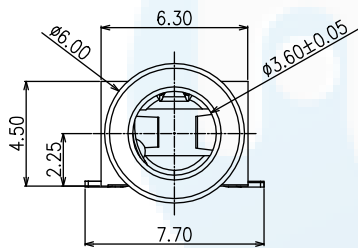
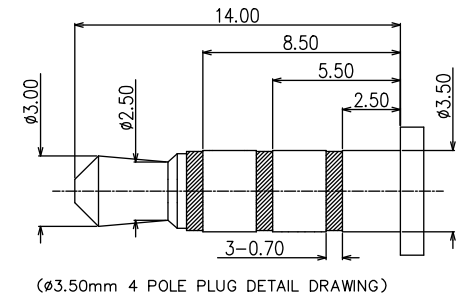


ROHS
Compatible

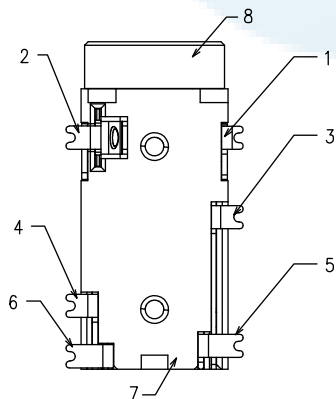


3D VIEW

- CONTACT CURRENT RATING: 1A.
- CONTACT RESISTANCE: 30 mΩ MAX.;
- INSULATION RESISTANCE: 100MΩ MIN.;
- DIELECTRIC WITHSTANDING: 500V AC MIN.;
- DURABILITY: 5,000 CYCLES MIN.;
- CONNECTOR MATING FORCES: 30N MAX.;
- CONNECTOR UNMATING FORCES: 3N MIN.;



P.C.B LAYOUT
TOP VIEW



ITEM	NAME	Q'TY	DESCRIPTION	NOTE
8	SLEEVE	1	COPPER ALLOY;THE BOTTOM OF THE NICKEL; THE WHOLE GOLD PLATING.	
7	HOUSING	1	HIGHT TEMPERATURE PLASTIC COLOR BLACK	
6	TERMINAL 6#	1		T=0.25mm
5	TERMINAL 5#	1	COPPER ALLOY; THE BOTTOM OF THE NICKEL,GOLD PLATING ON SOLDER AREA ;	T=0.25mm
4	TERMINAL 4#	1		T=0.25mm
3	TERMINAL 3#	1	COPPER ALLOY; NICKEL UNDER PLATING OVERALL,GOLD PLATING ON SOLDER AREA ;GOLD PLATING ON CONTACT AREA	T=0.20mm
2	TERMINAL 2#	1		T=0.25mm
1	TERMINAL 1#	1	COPPER ALLOY; THE BOTTOM OF THE NICKEL; THE WHOLE GOLD PLATING.	T=0.25mm

DESIGN	Li Jinwei	SCALL	
DRAWING	Wu Qifa	UNIT	mm
CHECK	Zheng Jinxian	SIZE	A4: 210 * 297
APPROVAL	Liu Xiaohong	DATE	2020-06-10

	DRAWG NO. PJ-409
TOLERANCE .XX ±0.30 X.°±2° .XX ±0.20 .X° ±1° .XXX ±0.10 .XX°±0.5°	TITLE: ø3.5mm 耳机插座 镀金铜头

东莞市宏煜盛实业有限公司
Dongguan hongyusheng Industry Co., Ltd
TEL: 0769-81230179 <https://www.hystypec.com>