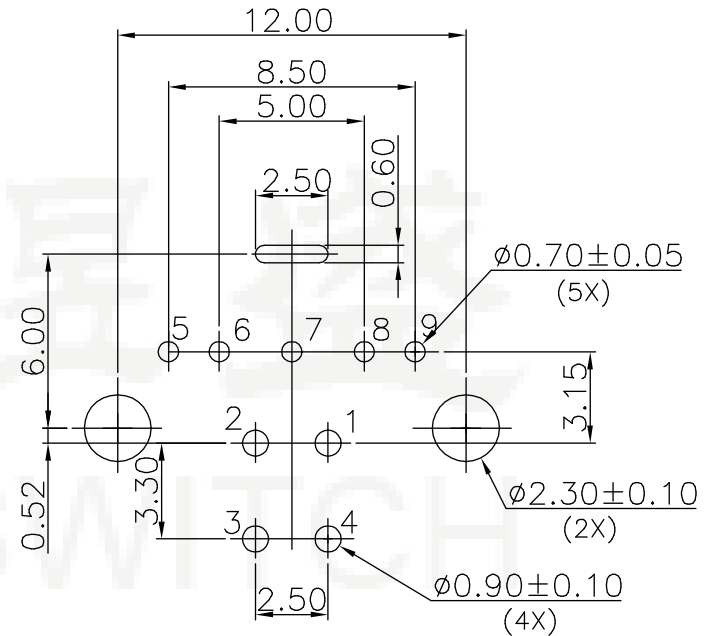



ROHS
Compatible

Pin Number	Signal Name	Pin Number	Signal Name
1	VBUS	5	StdB_SSTX-
2	D-	6	StdB_SSTX+
3	D+	7	GND_DRAIN
4	GND	8	StdB_SSRX-
Shell	Shield	9	StdB_SSRX+



REFERENCE PCB LAYOUT

DESIGN	Li Jinwei	SCALL		 TOLERANCE X.X ±0.30 X.°±2° .XX ±0.20 .X°±1° .XXX ±0.10 .XX°±0.5°	DRAWG NO.	 东莞市宏煜盛实业有限公司 Dongguan hongyusheng Industry Co., Ltd TEL: 0769-81230179 https://www.hystypec.com
DRAWING	Wu Qifa	UNIT	mm		USB-30BF-LDK22	
CHECK	Zheng Jinxian	SIZE	A4: 210 * 297		TITLE:	USB3.0 BF 180°弯脚DIP
APPROVAL	Liu Xiaohong	DATE	2020-06-10			