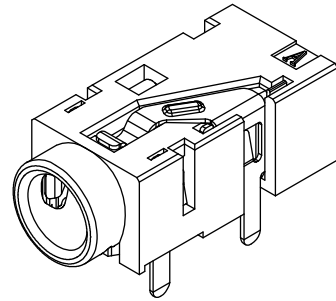
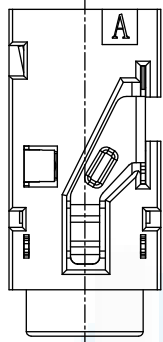
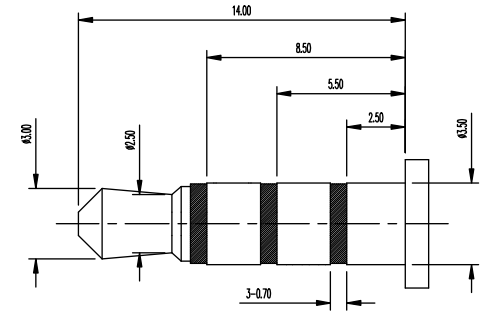


ROHS
Compatible

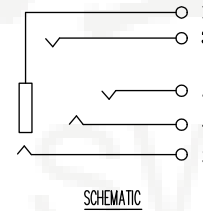
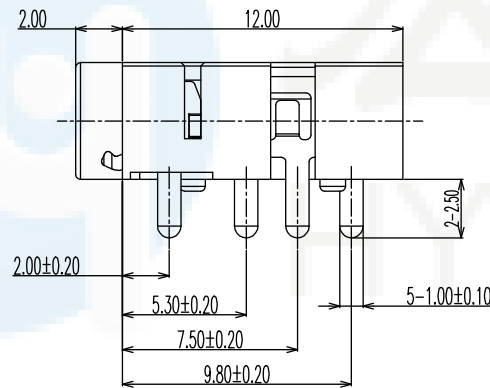
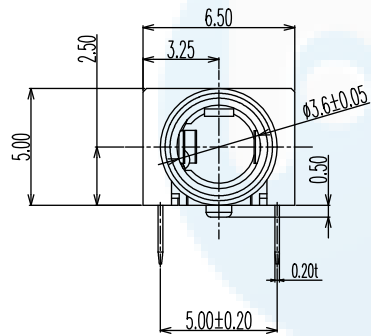


3D VIEW

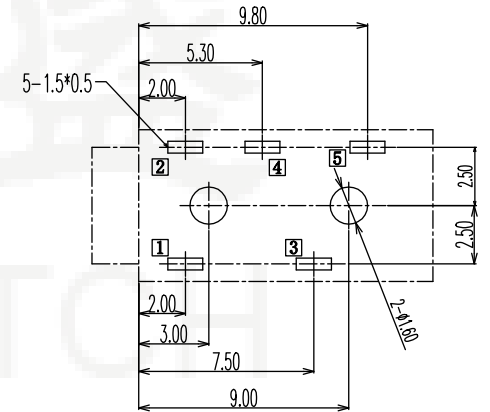
1. CONTACT CURRENT RATING: 1A.
2. CONTACT RESISTANCE: 50 mΩ MAX.;
3. INSULATION RESISTANCE: 1000Ω MIN.;
4. DIELECTRIC WITHSTANDING: 500V AC MIN.;
5. DURABILITY: 5,000 CYCLES MIN.;
6. CONNECTOR MATING FORCES: 30N (3Kgf) MAX.;
7. CONNECTOR UNMATING FORCES: 3N (0.3Kgf) MIN.;



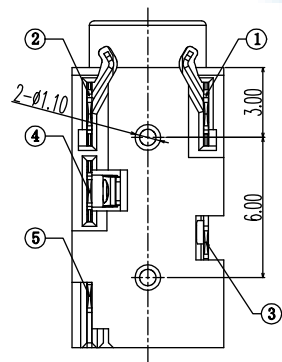
(ø3.50mm 4 POLE PLUG DETAIL DRAWING)



SCHEMATIC



P.C.B LAYOUT
TOP VIEW



6	HOUSING	1	PPA COLOR BLACK	
5	CONTACT 5#	1	STAINLESS STEEL; THE BOTTOM OF THE NICKEL(40u"MIN.); THE WHOLE TIN(80u"MIN.) PLATING.	T=0.2mm
4	CONTACT 4#	1	PHOSPHOR BRONZE; THE BOTTOM OF THE NICKEL(40u"MIN.); THE WHOLE TIN(80u"MIN.) PLATING.	T=0.2mm
3	CONTACT 3#	1	PHOSPHOR BRONZE; THE BOTTOM OF THE NICKEL(40u"MIN.); THE WHOLE TIN(80u"MIN.) PLATING.	T=0.2mm
2	CONTACT 2#	1	PHOSPHOR BRONZE; THE BOTTOM OF THE NICKEL(40u"MIN.); THE WHOLE TIN(80u"MIN.) PLATING.	T=0.2mm
1	CONTACT 1#	1	PHOSPHOR BRONZE; THE BOTTOM OF THE NICKEL(40u"MIN.); THE WHOLE TIN(80u"MIN.) PLATING.	T=0.2mm
ITEM	NAME	Q'TY	DESCRIPTION	NOTE

DESIGN	Li Jinwei	SCALL	
DRAWING	Wu Qifa	UNIT	mm
CHECK	Zheng Jinxian	SIZE	A4: 210 * 297
APPROVAL	Liu Xiaohong	DATE	2020-06-10

TOLERANCE	
X.X ±0.30	X.°±2°
.XX ±0.20	.X°±1°
.XXX ±0.10	.XX°±0.5°

DRAWG NO.	PJ-405
TITLE:	Φ3.5mm耳机插座



东莞市宏煜盛实业有限公司
Dongguan hongyusheng Industry Co., Ltd
TEL: 0769-81230179 <https://www.hystypec.com>