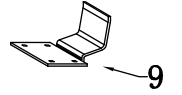
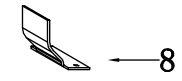
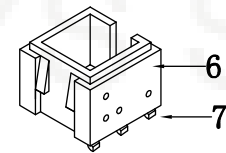
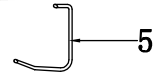
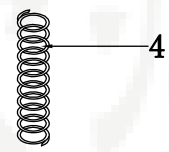
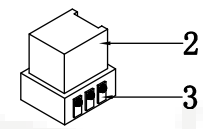
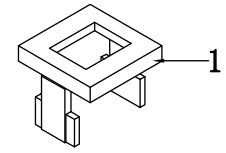
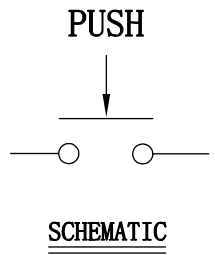
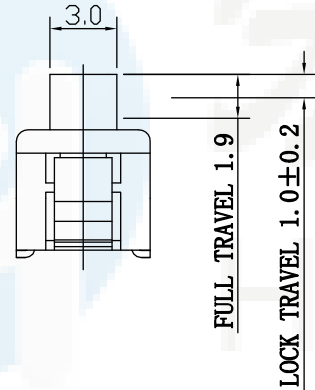
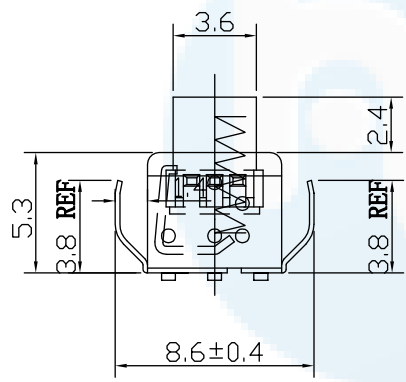
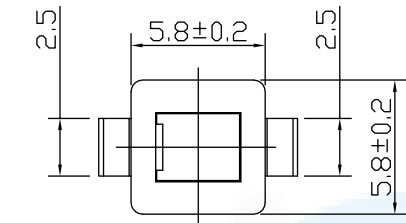


ROHS
Compatible



ELECTRICAL CHARACTERISTICS

1. RATING: DC 30V 0.1A
2. CONTACT RESISTANCE: 2Ω MAX
3. INSULATION RESISTANCE: 100MΩ MIN
4. DIELECTRIC STRENGTH: AC 250V (50~60Hz)/60S

MECHANICAL CHARACTERISTICS

1. PRACTICAL TEMPERATURE RANG: -40℃~+85℃
2. OPERATING FORCE: 180±50gf
3. MECHANICAL LIFE: 30,000 cycles

NO.	PART NAME	MATERIAL	QTY.	FINISHING
9	CONTACTPIECE-2	SUS	1	Ni PLATED
8	CONTACTPIECE-1	SUS	1	Ni PLATED
7	TERMINAL	BRASS	6	Ag PLATED
6	CASE	PA66	1	GRAY
5	LOCK PIN	SUS WIRE	1	NATURAL
4	SPRING	SUS WIRE	1	NATURAL
3	CONTACT	BRONZE	2	Ag PLATED
2	KNOB	PBT	1	WHITE
1	COVER	PA66	1	BLACK

DESIGN	Li Jinwei	SC ALL		<p>TOLERANCE X.X ±0.30 X.°±2° .XX ±0.20 .X° ±1° .XXX ±0.10 .XX°±0.5°</p>	DRAWG NO.	PS-5854B-L1
DRAWING	Wu Qifa	UNIT	mm		TITLE:	按键开关
CHECK	Zheng Jinxian	SIZE	A4: 210 * 297			
APPROVAL	Liu Xiaohong	DATE	2020-06-10			

东莞市宏煜盛实业有限公司
 Dongguan hongyusheng Industry Co., Ltd
 TEL: 0769-81230179 <https://www.hystypec.com>