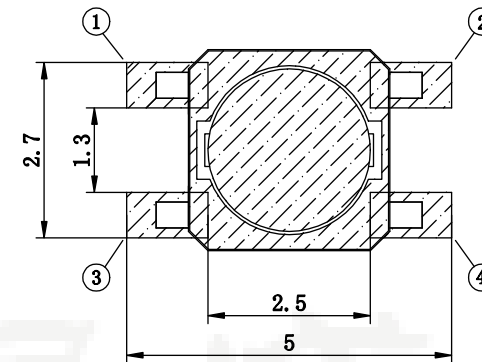
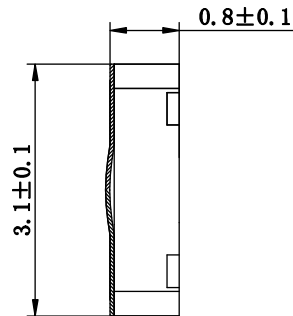
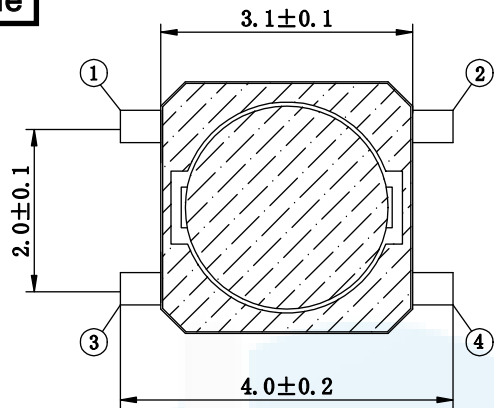
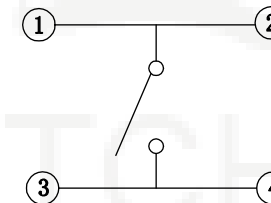
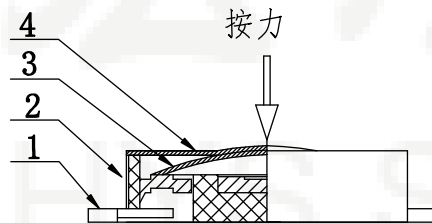
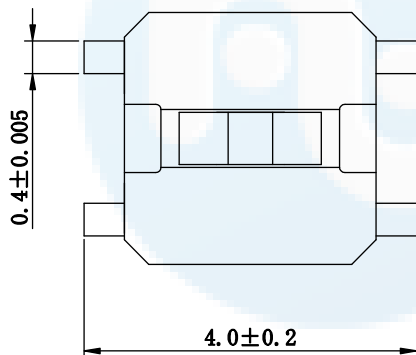


ROHS
Compatible



PCB 板焊盘尺寸



电路图

NO.	NAME	MATERIAL	FINISHING
1	TERMINAL	phosphorous bronze	Silver plating
2	CASE	LCP	Black
3	CONTACT	SUS301	Silver plating
4	Waterproof membrane	PI	Yellow

SPECIFICATIONS			
Operating temperature rangs	-30° to +85°		
Rating	DC 12V 50mA Max.		
Contact Resistance	100mΩ Max		
Dielectric strength	250V AC for 1min.		
Travel	0.18±0.05mm		
Operating Force	1	2	3
Operating Life (cycles)	40,000	100,000	100,000

DESIGN	Li Jinwei	SCALL	
DRAWING	Wu Qifa	UNIT	mm
CHECK	Zheng Jinxian	SIZE	A4: 210 * 297
APPROVAL	Liu Xiaohong	DATE	2020-06-10

TOLERANCE	
.XX ±0.30	.X° ±2°
.XX ±0.20	.X° ±1°
.XXX ±0.10	.XX° ±0.5°

DRAWG NO.	HYS-121
TITLE:	轻触开关 3.1*3.1*0.8H


东莞市宏煜盛实业有限公司
 Dongguan hongyusheng Industry Co., Ltd
 TEL: 0769-81230179 <https://www.hystypec.com>