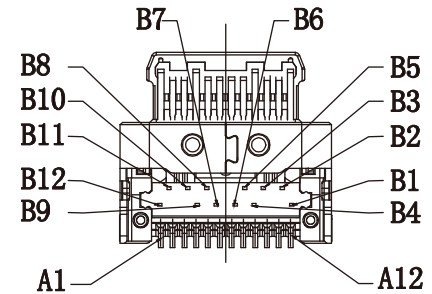
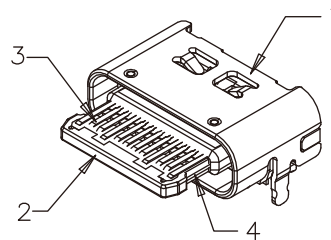
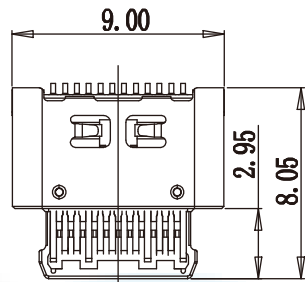


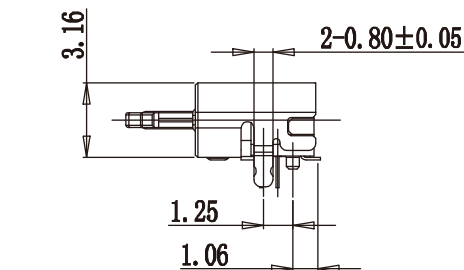
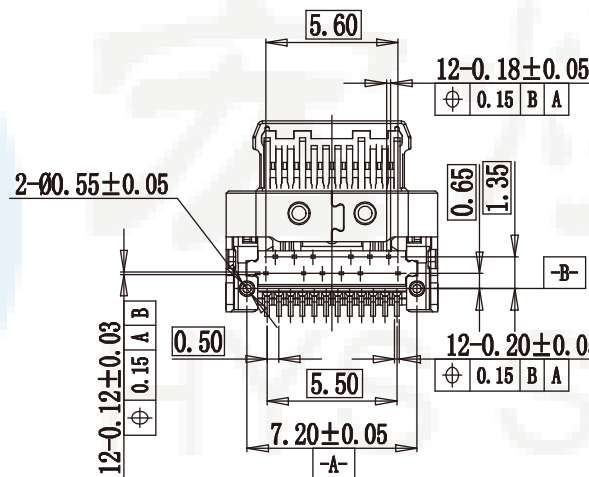
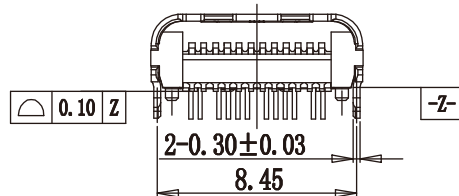
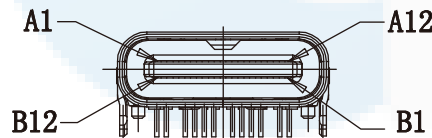
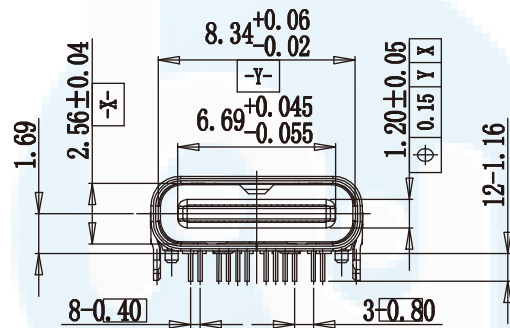
**ROHS**  
Compatible



**CONNECTOR PIN DEFINITION**

**NOTES:**

- Electrical characteristics:
  - Contact current rating:  
A current of 5.0A shall be applied collectively to VBUS pins and 1.25A applied to the VCONN pin with the return path through the corresponding GND pins.  
A MIN 0.25A shall be applied individually to all other contacts.
  - Contact resistance:  
40 Milliohms (MAX) initial for VBUS, GND and all other contacts.  
Maximum change (delta) of +10 Milliohms after environmental stresses.
  - Dielectric withstanding voltage : 100 V AC MIN (RMS).
  - Insulation resistance: 100 MEGOHMS MIN.
- Mechanical characteristics:
  - Connector insertion force: 5~20N at a maximum rate of 12.5mm per minute.
  - Connector extraction force: 8~20N up to 1000 mating cycles, and 6~20N after the specified insertion/extraction or durability cycles at a maximum rate of 12.5mm per minute
  - Durability: 10000 cycles minimum.
  - Operating temperature: -55°C TO +85°C
- The connector is Rohs compliant and halogen free comp lan-



Item	Description	QTY.	Material	Finish
4	Shield plate	1	Stainless stell	Clean
3	Contact	24	Copper Alloy	Ni underplating overall, gold plating at contact area, Matte Sn plating at solder area.
2	Housing	1	Therma Plastic LCP	Molded Color: White&Black
1	Shell	1	Stainless stell	Ni plating overall, tab with gold flash

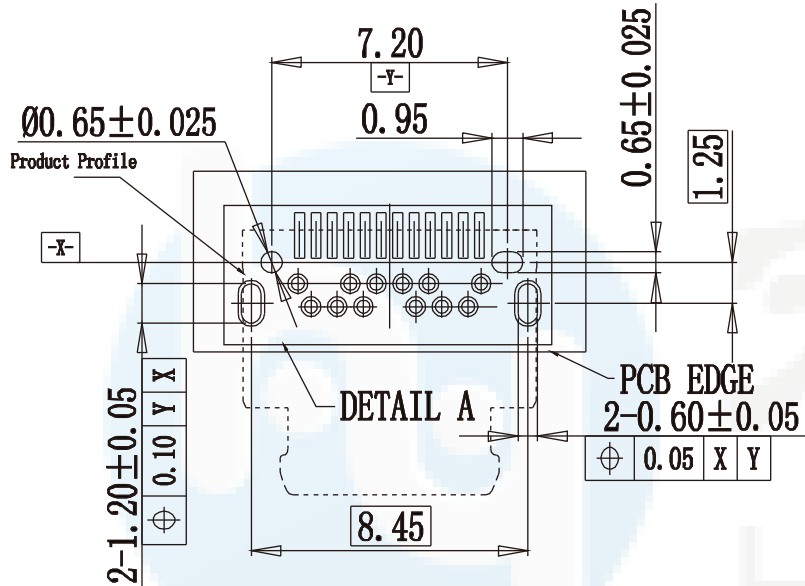
DESIGN	Li Jinwei	SCALL	
DRAWING	Wu Qifa	UNIT	mm
CHECK	Zheng Jinxian	SIZE	A4: 210 * 297
APPROVAL	Liu Xiaohong	DATE	2020-06-10

TOLERANCE	
X.X ±0.30	X.°±2°
.XX ±0.20	.X°±1°
.XXX ±0.10	.XX°±0.5°

DRAWG NO. TYPE-C-DSW24PZ805  
TITLE: 24P板上型后两脚插板DIP+SMT缩口式8.05L

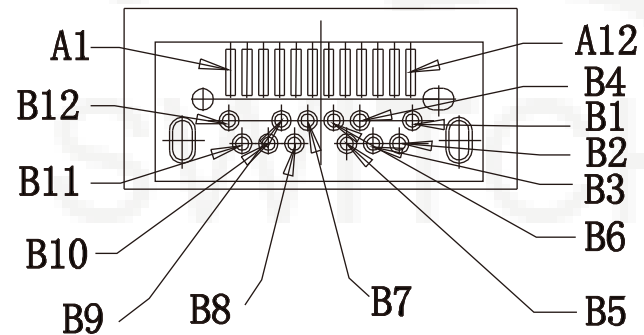
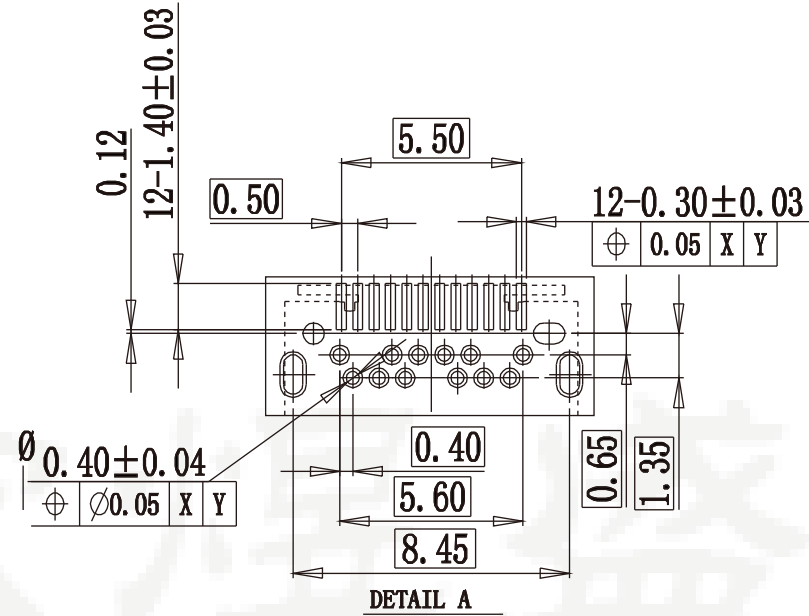
**东莞市宏煜盛实业有限公司**  
Dongguan hongyusheng Industry Co., Ltd  
EL: 0769-81230179 <https://www.hystypec.com>

**ROHS**  
Compatible



RECOMMENDED P. C. B LAYOUT (COMPONENT SIDE)

PCB THICKNESS: 1.00±0.05mm  
DEFAULT TOLERANCE: ±0.05



PCB PIN DEFINITION

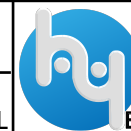
USB TYPE-C PIN ASSIGNMENTS

PIN NUMBER	A1	A2	A3	A4	A5	A6	A7	A8	A9	A10	A11	A12
SIGNAL NAME	GND	SSTXp1	SSTXn1	Vbus	CC1	Dp1	Dn1	SBU1	Vbus	SSRXn2	SSRXp2	GND
PIN NUMBER	B12	B11	B10	B9	B8	B7	B6	B5	B4	B3	B2	B1
SIGNAL NAME	GND	SSRXp1	SSRXn1	Vbus	SBU2	Dn2	Dp2	CC2	Vbus	SSTXn2	SSTXp2	GND

DESIGN	Li Jinwei	SCALL	
DRAWING	Wu Qifa	UNIT	mm
CHECK	Zheng Jinxian	SIZE	A4: 210 * 297
APPROVAL	Liu Xiaohong	DATE	2020-06-10

TOLERANCE	
.XX ±0.30	.X°±2°
.XX ±0.20	.X°±1°
.XXX ±0.10	.XX°±0.5°

DRAWG NO.	TYPE-C-DSW24PZ805
TITLE:	24P板上型后两脚插板DIP+SMT缩口式8.05L



**东莞市宏煜盛实业有限公司**  
Dongguan hongyusheng Industry Co., Ltd  
EL: 0769-81230179 <https://www.hystypec.com>