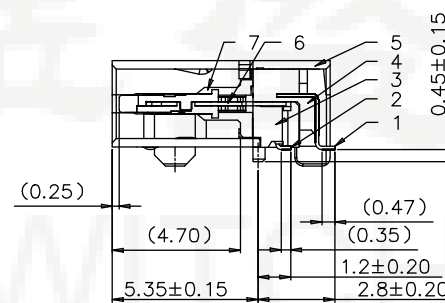
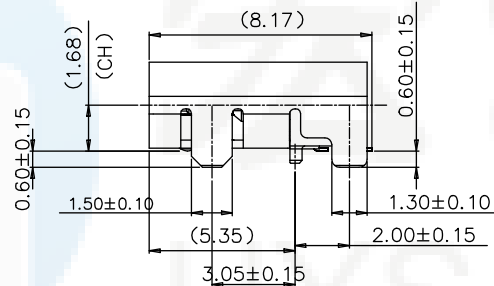
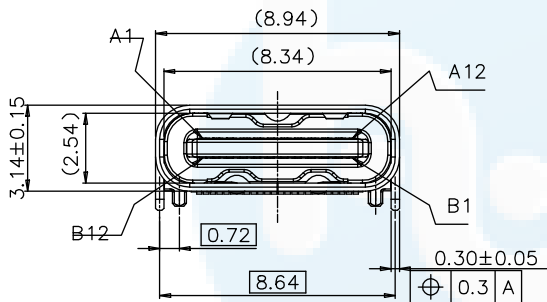
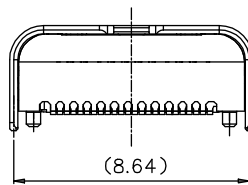
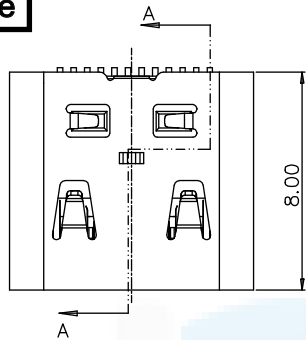
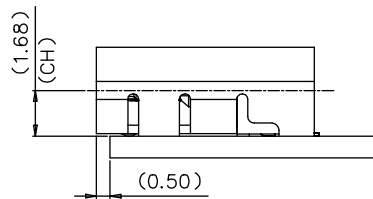
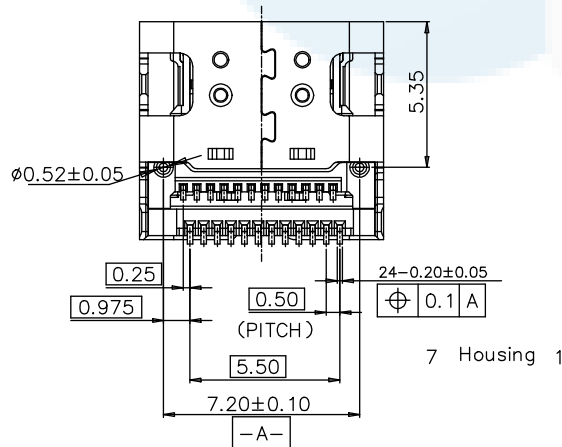


ROHS
Compatible



SECTION: A-A



MATING CONDITION

- NOTES:
- Electrical characteristics:
 - Contact current rating:
 - A current of DC 1.25A max. shall be applied collectively to A1,A4,A9,A12, B1,B4,B5,B9,B12,and DC 0.25A shall be applied collectively to other contacts.
 - Contact resistance:
 - 40 Milliohms (MAX) initial for VBUS, GND and all other contacts.
 - Maximum change (delta) of +10 Milliohms after environmental stresses.
 - Dielectric withstanding voltage : 100 V AC MIN (RMS).
 - Insulation resistance: 100 MEGOHMS MIN.
 - Mechanical characteristics:
 - Connector insertion force: 5~20N at a maximum rate of 12.5mm per minute.
 - Connector extraction force: 8~20N up to 1000 mating cycles, and 6~20N after the specified insertion/extraction or durability cycles at a maximum rate of 12.5mm per minute.
 - Durability: 10000 cycles minimum.
 - Operating temperature: -55°C TO +85°C
 - The connector is Rohs compliant and halogen free compliant.

Item	Description	QTY.	Material	Finish
6	Low IM	1	Thermo Plastic, UL94V-0	Molded Color: Black or White
5	Upper IM	1	Thermo Plastic, UL94V-0	Molded Color: Black or White
4	Shield plate	1	Stainless steel	Clean
3	Contact	24	Copper Alloy	Ni underplating overall, gold plating at contact area and termination.
2	Housing_IM	1	Thermo Plastic, UL94V-0	Molded Color: Black or White
1	Shell	1	Stainless steel	Ni plating overall

DESIGN	Li Jinwei	SCALL	
DRAWING	Wu Qifa	UNIT	mm
CHECK	Zheng Jinxian	SIZE	A4: 210 * 297
APPROVAL	Liu Xiaohong	DATE	2020-06-10

TOLERANCE	
X.X ±0.30	X.°±2°
.XX ±0.20	.X°±1°
.XXX ±0.10	.XX°±0.5°

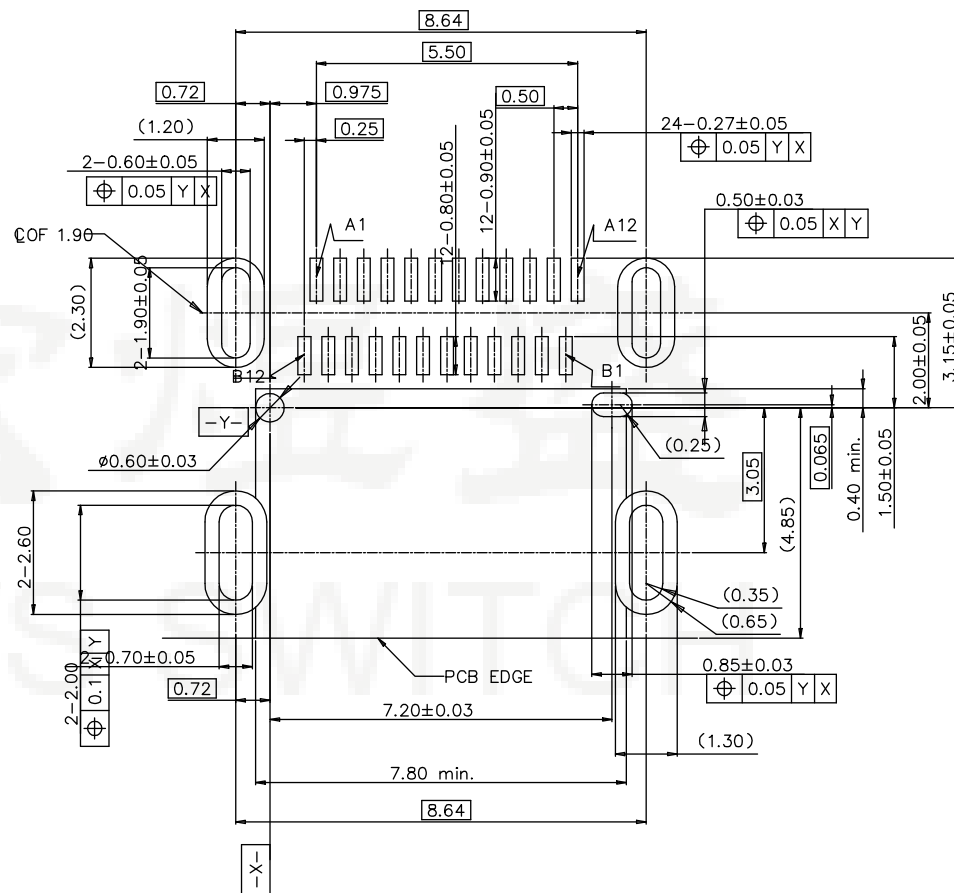
DRAWG NO.	TYPE-C-DST24PZ800
TITLE:	24P板上型四脚插板双SMT 带弹 8.0L

东莞市宏煜盛实业有限公司
 Dongguan hongyusheng Industry Co., Ltd
 TEL: 0769-81230179 <https://www.hystypec.com>

ROHS
Compatible

USB TYPE-C PIN ASSIGNMENTS

PIN NUMBER	SIGNAL NAME	PIN NUMBER	SIGNAL NAME
A1	GND	B12	GND
A2	SSTXp1	B11	SSRXp1
A3	SSTXn1	B10	SSRXn1
A4	VBus	B9	VBus
A5	CC1	B8	SBU2
A6	Dp1	B7	Dn2
A7	Dn1	B6	Dp2
A8	SBU1	B5	CC2
A9	VBUS	B4	VBus
A10	SSRXn2	B3	SSTXn2
A11	SSRXp2	B2	SSTXp2
A12	GND	B1	GND



THE RECOMMEND PCB LAYOUT
DEFAULT TOLERANCE: ±0.05

DESIGN	Li Jinwei	SCALL	
DRAWING	Wu Qifa	UNIT	mm
CHECK	Zheng Jinxian	SIZE	A4: 210 * 297
APPROVAL	Liu Xiaohong	DATE	2020-06-10

TOLERANCE	
X.X	±0.30 X.°±2°
.XX	±0.20 .X°±1°
.XXX	±0.10 .XX°±0.5°

DRAWG NO.	TYPE-C-DST24PZ800
TITLE:	24P板上型四脚插板双SMT 带弹 8.0L

东莞市宏煜盛实业有限公司
 Dongguan hongyusheng Industry Co., Ltd
 TEL: 0769-81230179 <https://www.hystypec.com>