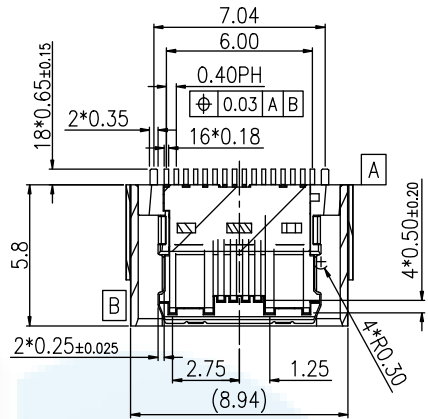
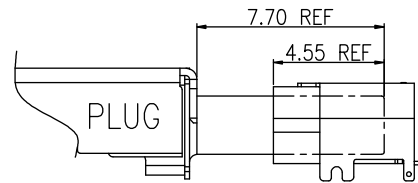


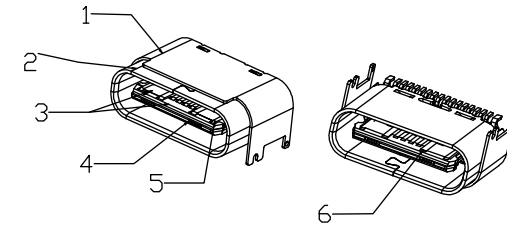
ROHS
Compatible



SECTION A-A
SCALE 1:1



MATING INTERFACE



NOTES:

1.ELECTRICAL:

1.1.CONTACT CURRENT RATING 5.0A FOR VBUS AND GND(PINS A4 A9 B4 B9)

1.2. INSULATION RESISTANCE: 100 MEGAOHMS MIN. AT 250VDC.

1.3.DIELECTRIC WITHSTANDING VOLTAGE: 100VAC MIN.

1.4.LOW CONTACT RESISTANCE: INITIAL 40mΩ MAX. AFTER 50mΩ MAX.

2. MECHANICAL CHARACTERISTICS:

2.1.INSERTION FORCE:5N~20N.

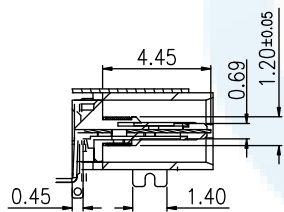
2.2.EXTRACTION FORCE: 8N~20N FORM 1 TO 1000CYCLES. 6~20N FORM 1001 TO 10000CYCLES.

2.3.DURABILITY:10,000 MATING CYCLES

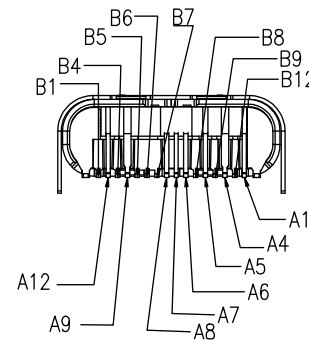
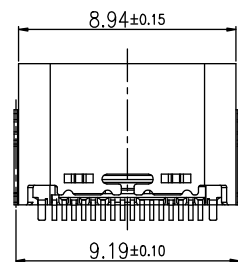
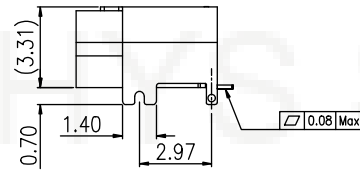
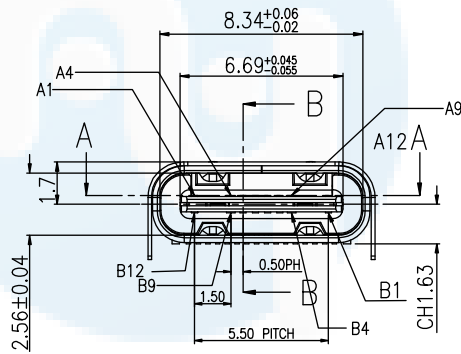
2.4.OPERATING TEMPERATURE:-55°C TO +85°C

3.COPLANARITY:0.10MAX.

4.PART NUMBER INFORMATION:



SECTION B-B
SCALE 1:1



TABLE

ITEM	PART NAME	QTY	MATERIAL	REMARK
1/2	SHELL	2PCS	STAINLESS	NICKEL PLATED 50u" MIN. OVER ALL CLEAN
3	INSERT HOUSING	2PCS	PA10T	UL94V-0
4	Mid-PLATE	1PCS	STAINLESS	NI PLATED 50u" MIN. OVER ALL
5	TOP CONTACT	1SET	COPPER ALLOY	NI UNDERPLATED 50 u" MIN OVER ALL;Au 1u" ON SOLDER TAIL;
6	BOTTOM CONTACT	1SET	COPPER ALLOY	Gold Flash'or 5u"or 10u"or15u"or 30u" ON CONTACT AREA.

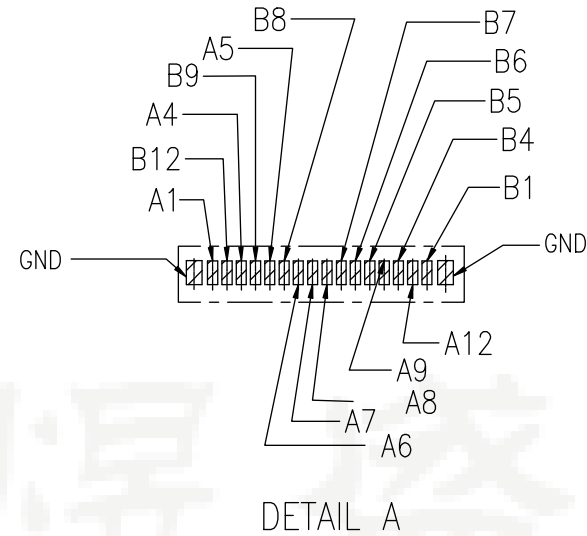
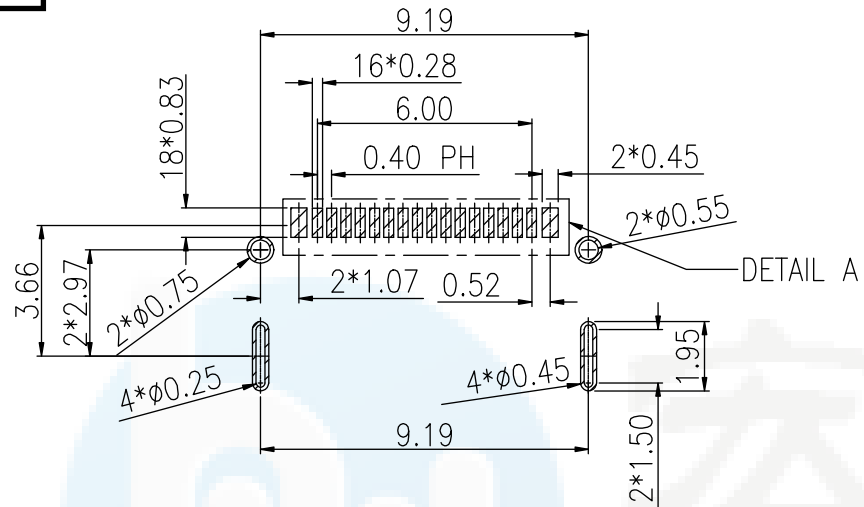
DESIGN	Li Jinwei	SCALL		 TOLERANCE X.X ±0.30 X.°±2° .XX ±0.20 .X° ±1° .XXX ±0.10 .XX°±0.5°
DRAWING	Wu Qifa	UNIT	mm	
CHECK	Zheng Jinxian	SIZE	A4: 210 * 297	
APPROVAL	Liu Xiaohong	DATE	2020-06-10	

DRAWG NO. TYPE-C-DSI16PZ580
TITLE: 16P四脚插板SMT双壳5.8L



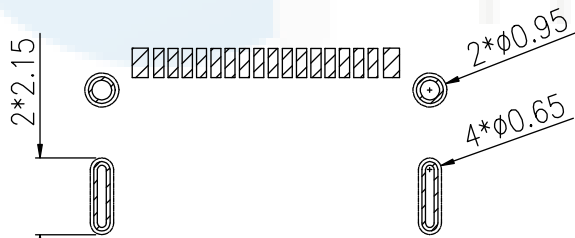
东莞市宏煜盛实业有限公司
Dongguan hongyusheng Industry Co., Ltd
TEL: 0769-81230179 <https://www.hystypec.com>

ROHS
Compatible



RECOMMENDED PCB LAYOUT

GENERAL TOLERANCE ± 0.05



RECOMMENDED STENCIL LAYOUT

GENERAL TOLERANCE ± 0.05

PIN	SIGNAL NAME	PIN	SIGNAL NAME
A1	GND	B12	GND
A2		B11	
A3		B10	
A4	VBUS	B9	VBUS
A5	CC1	B8	SBU2
A6	Dp1	B7	Dn2
A7	Dn1	B6	Dp2
A8	SBU1	B5	CC2
A9	VBUS	B4	VBUS
A10		B3	
A11		B2	
A12	GND	B1	GND

DESIGN	Li Jinwei	SCALL	
DRAWING	Wu Qifa	UNIT	mm
CHECK	Zheng Jinxian	SIZE	A4: 210 * 297
APPROVAL	Liu Xiaohong	DATE	2020-06-10

DRAWG NO.	TYPE-C-DSI16PZ580
TITLE:	16P四脚插板SMT双壳5.8L


东莞市宏煜盛实业有限公司
 Dongguan hongyusheng Industry Co., Ltd
 TEL: 0769-81230179 <https://www.hystypec.com>