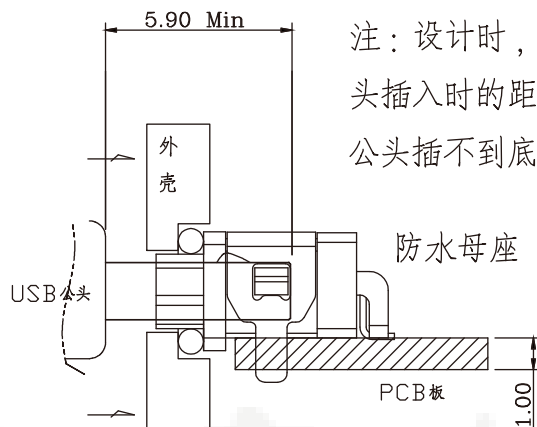
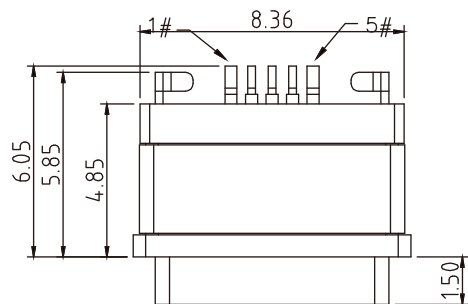
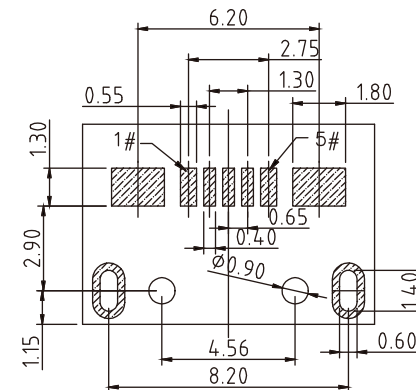


**ROHS**  
Compatible



注：设计时，请注意公头插入时的距离，防止公头插不到底。

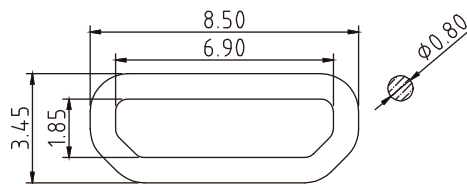
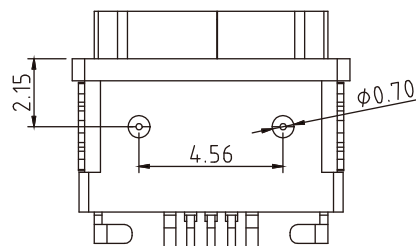
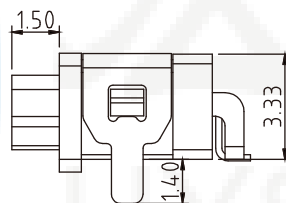
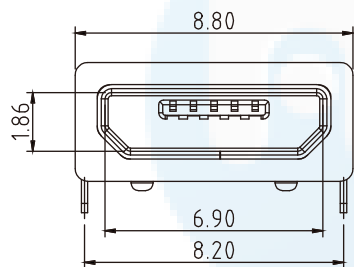
组装示意图



RECOMMENDED PCB LAYOUT(TOP VIEW)

THICKNESS T=1.0mm  
DEFAULT TOLERANCE+/-0.05

Contact Number	Signal Name	Remarks
1#	VBUS	Power
2#	D-	Date-
3#	D+	Date+
4#	ID	Reserve or Gound
5#	GND	Gound



注：防水圈是圆形截面，直径为0.8mm的硅胶圈  
防水圈挤压力，由0.8mm挤压力到0.4mm ~ 0.5mm，防水效果好

SPECIFICATIONS:

- ELECTRICAL CHARACTERISTICS:
  - RATING: 3A(PIN1&5),0.5A(PIN2&3&4);
  - CONTACT RESISTANCE: 30 mΩ MAX.(INITIAL);
  - DIELECTRIC WITHSTANDING: 500V AC MIN.;
  - INSULATION RESISTANCE: 1000MΩ MIN.;
- DURABILITY: 5,000 CYCLES MIN.;
- INSERTION FORCE: 3.5Kgf (35N) Max.;
- EXTRACTION FORCE: 0.8Kgf (8N) Min.;
- WATER PROOFNESS:THIS PRODUCT IS BASED ON IPX8
- PLUG INTERFACE DIMENSIONS COMFORM TO USB2.0 SPEC.
- PACKAGING: TAPE & REEL.

3	Shell	1	SUS304R-1/2H Ni PlatingT=0.25mm	
2	Contact	5	Phosphor bronze C5191R-EH Au/Ni Plating T=0.20mm	
1	Housing	1	PA10T (G.F30%)	
ITEM	PARTNAME	Q'TY	FINISH	NOTE

DESIGN	Li Jinwei	SCALL	
DRAWING	Wu Qifa	UNIT	mm
CHECK	Zheng Jinxian	SIZE	A4: 210 * 297
APPROVAL	Liu Xiaohong	DATE	2020-06-10

TOLERANCE	
X. ±0.50	X.°±2°
.X ±0.30	.X° ±1°
.XX ±0.10	.XX°±0.5°

DRAWG NO.	USB-M-DS69FZ
TITLE:	长头插头板上型 IPX8带防水胶圈



**东莞市宏煜盛实业有限公司**  
Dongguan hongyusheng Industry Co., Ltd  
TEL: 0769-81230179 <https://www.hystypec.com>