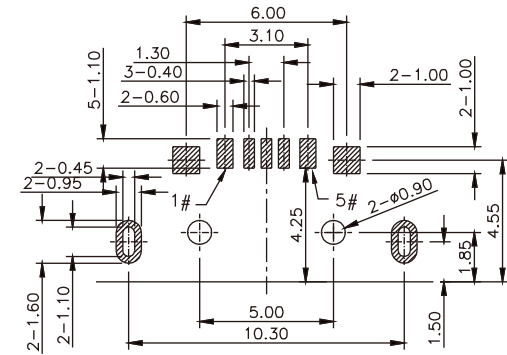
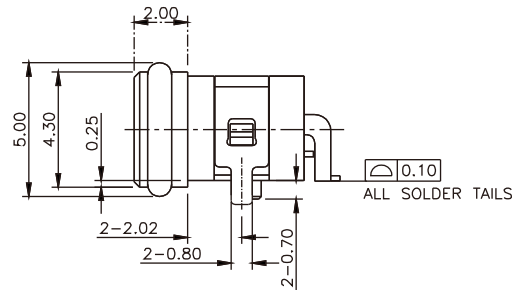
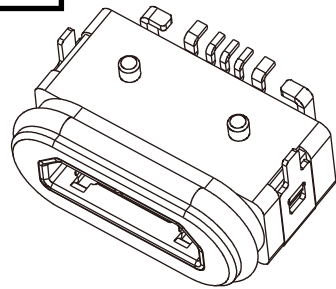
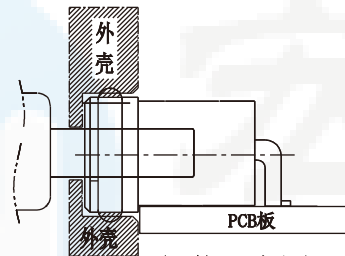
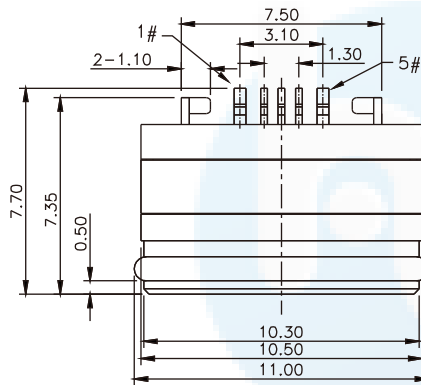


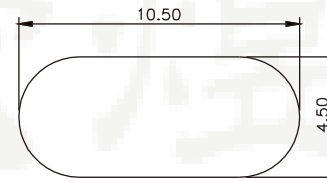
**ROHS**  
Compatible



RECOMMENDED P.C.B. LAYOUT (TOP VIEW)  
GENERAL TOLERANCE: ±0.05

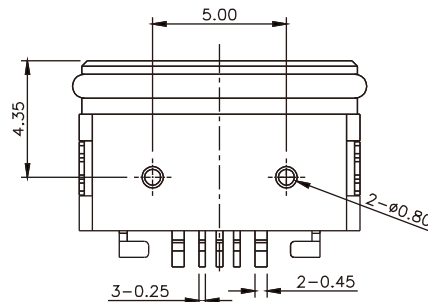
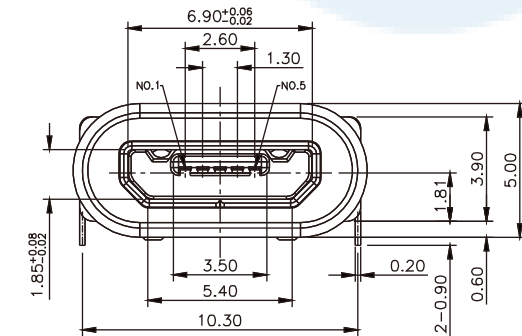


组装示意图



开孔尺寸参考  
组装外壳时需要打环保润滑油

Contact Number	Signal Name	Remarks
1#	VBUS	Power
2#	D-	Date-
3#	D+	Date+
4#	ID	Reserve or Gound
5#	GND	Gound



SPECIFICATIONS:

- ELECTRICAL CHARACTERISTICS:
  - RATING: 3A(PIN1&5),0.5A(PIN2&3&4);
  - CONTACT RESISTANCE: 30 mΩ MAX.(INITIAL);
  - DIELECTRIC WITHSTANDING: 500V AC MIN.;
  - INSULATION RESISTANCE: 1000MΩ MIN.;
- DURABILITY: 10,000 CYCLES MIN.;
- INSERTION FORCE: 3.5Kgf (35N) Max.;
- EXTRACTION FORCE: 0.8Kgf (8N) Min.;
- WATER PROOFNESS: THIS PRODUCT IS BASED ON IPX8.
- PLUG INTERFACE DIMENSIONS COMFORM TO USB2.0 SPEC.
- PACKAGING: TAPE & REEL.

NO.	DESCRIPTION	QTY	MATERIAL	REMARK
⑦	Oval ring	1	Rubber	Black
⑥	Glue	1	-----	Black
⑤	U-shaped frame	1	Copper alloy or stainless	Nickel plated
④	Inner shell	1	Copper alloy or stainless	Nickel plated
③	Terminal	5	Copper alloy, 0.15t	Gold Plated On Contact Area.
②	Outer shell	1	High temperature thermoplastic	Black
①	Body	1	High temperature thermoplastic	Black

DESIGN	Li Jinwei	SCALL	
DRAWING	Wu Qifa	UNIT	mm
CHECK	Zheng Jinxian	SIZE	A4: 210 * 297
APPROVAL	Liu Xiaohong	DATE	2020-06-10

TOLERANCE	
X. ±0.50	X.°±2°
.X ±0.30	.X° ±1°
.XX ±0.10	.XX°±0.5°

DRAWG NO.	USB-M-DS65FZ
TITLE:	板上型底部插脚正脚位IPX8带防水胶圈

**东莞市宏煜盛实业有限公司**  
Dongguan hongyusheng Industry Co., Ltd  
TEL: 0769-81230179 <https://www.hystypec.com>