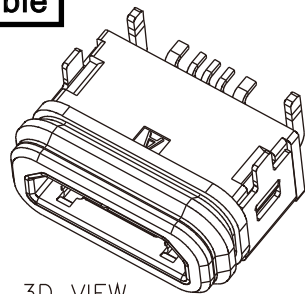
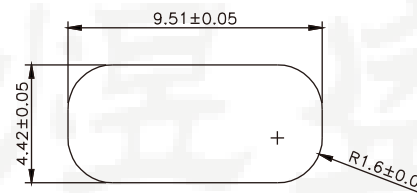
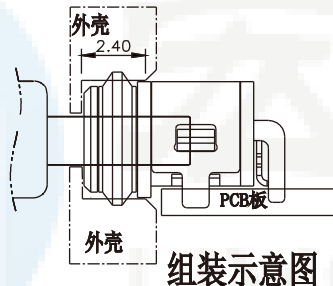
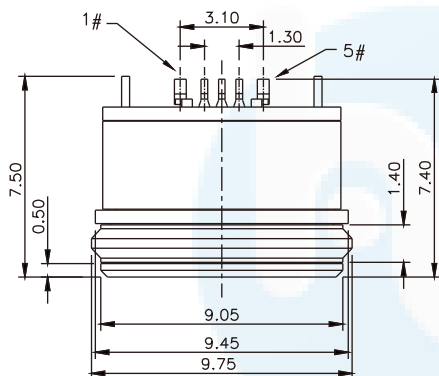
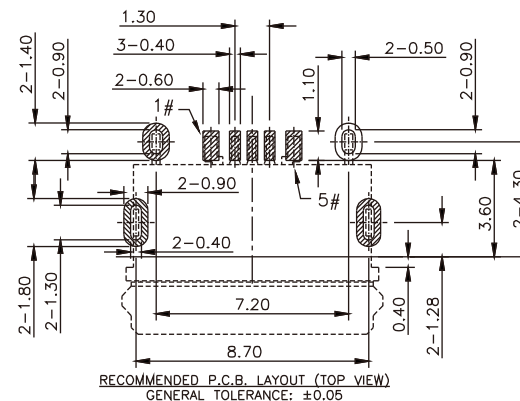
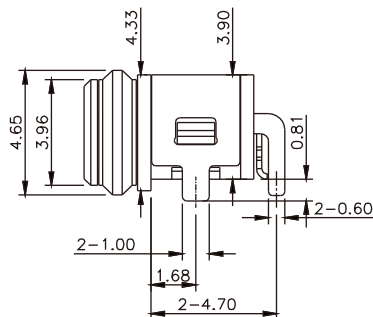


ROHS
Compatible

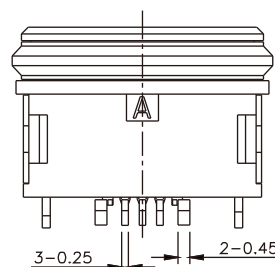
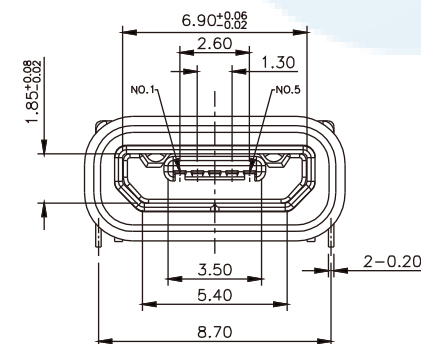


3D VIEW



组装时，加润滑油后
更容易组装

| Contact Number | Signal Name | Remarks |
|----------------|-------------|------------------|
| 1# | VBUS | Power |
| 2# | D- | Date- |
| 3# | D+ | Date+ |
| 4# | ID | Reserve or Gound |
| 5# | GND | Gound |



SPECIFICATIONS:

- ELECTRICAL CHARACTERISTICS:
 - RATING: 3A(PIN1&5),0.5A(PIN2&3&4);
 - CONTACT RESISTANCE: 30 mΩ MAX.(INITIAL);
 - DIELECTRIC WITHSTANDING: 500V AC MIN.;
 - INSULATION RESISTANCE: 1000MΩ MIN.;
- DURABILITY: 10,000 CYCLES MIN.;
- INSERTION FORCE: 3.5Kgf (35N) Max.;
- EXTRACTION FORCE: 0.8Kgf (8N) Min.;
- WATER PROOFNESS: THIS PRODUCT IS BASED ON IPX8(1.5m,30min)
- PLUG INTERFACE DIMENSIONS COMFORM TO USB2.0 SPEC.
- PACKAGING: TAPE & REEL.

| NO. | DESCRIPTION | QTY | MATERIAL | REMARK |
|-----|----------------|-----|--------------------------------|------------------------------|
| ⑦ | Oval ring | 1 | Rubber | Black |
| ⑥ | Glue | 1 | ----- | Black |
| ⑤ | U-shaped frame | 1 | Copper alloy or stainless | Nickel plated |
| ④ | Inner shell | 1 | Copper alloy or stainless | Nickel plated |
| ③ | Terminal | 5 | Copper alloy, 0.15t | Gold Plated On Contact Area. |
| ② | Outer shell | 1 | High temperature thermoplastic | Black |
| ① | Body | 1 | High temperature thermoplastic | Black |

| | | | |
|----------|---------------|-------|---------------|
| DESIGN | Li Jinwei | SCALL | |
| DRAWING | Wu Qifa | UNIT | mm |
| CHECK | Zheng Jinxian | SIZE | A4: 210 * 297 |
| APPROVAL | Liu Xiaohong | DATE | 2020-06-10 |

| TOLERANCE | |
|-----------|-----------|
| X. ±0.50 | X.°±2° |
| .X ±0.30 | .X°±1° |
| .XX ±0.10 | .XX°±0.5° |

| | |
|-----------|-------------------|
| DRAWG NO. | USB-M-DS64F |
| TITLE: | 板上型正脚位 IPX8 带防水胶圈 |


东莞市宏煜盛实业有限公司
 Dongguan hongyusheng Industry Co., Ltd
 TEL: 0769-81230179 <https://www.hystypec.com>