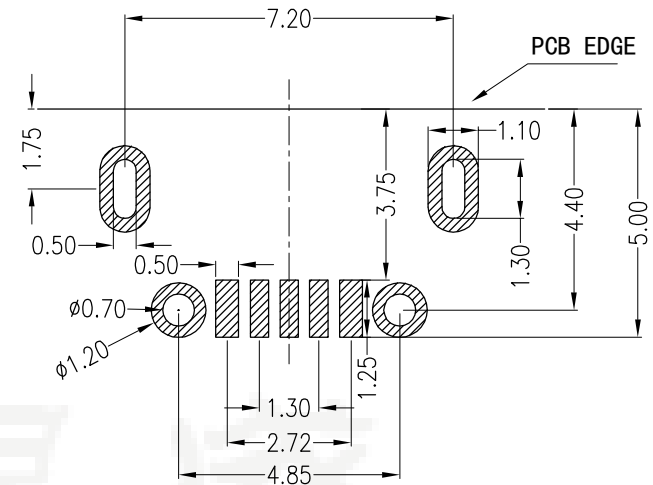
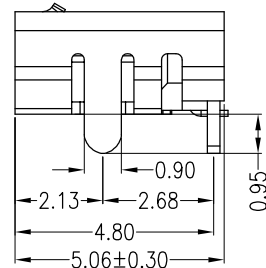
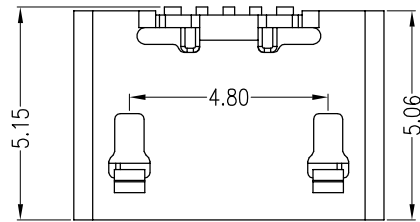
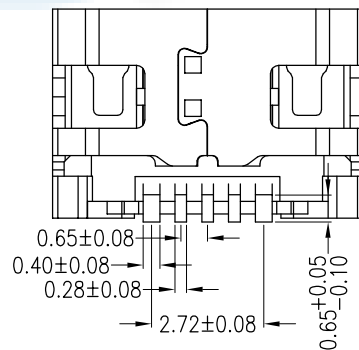
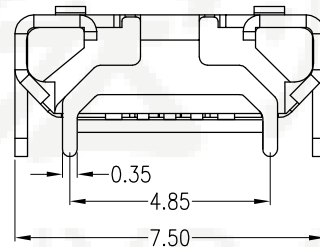
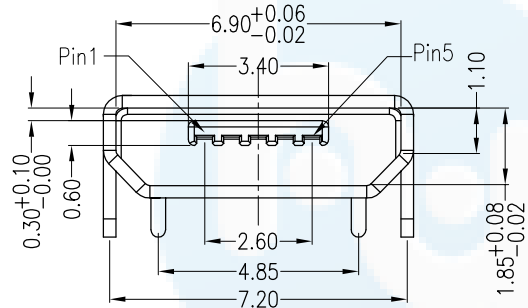


ROHS
Compatible



PCB图仅做参考



Note:

1.Material:

- 1.1 Housing: High temperature thermoplastic with g.f,UL94v-0
- 1.2 Contact: copper alloy,t=0.15mm
- 1.3 Shell: copper alloy,t=0.30mm

2.Specification:

- 2.1 Current rating:1,5PIN 3A Max/2,3,4PIN 1A Max.
- 2.2 Dielectric withstanding voltage: 100 V(ac) for 1 min.
- 2.3 Contact resistance: 30 mΩ Max.
- 2.4 Insulation resistance: 100 MΩ Min.
- 2.5 Total mating force: 3.57 Kgf Max.
- 2.6 Total unmating force: 1.0 Kgf Min.
- 2.7 Temperature range: -30°C~80°C

| | | | |
|----------|---------------|-------|---------------|
| DESIGN | Li Jinwei | SCALL | |
| DRAWING | Wu Qifa | UNIT | mm |
| CHECK | Zheng Jinxian | SIZE | A4: 210 * 297 |
| APPROVAL | Liu Xiaohong | DATE | 2020-06-10 |

| | |
|-----------|-------------------|
| DRAWG NO. | USB-M-NJ06 |
| TITLE: | 四脚全插牛角型短针无导线1,5加宽 |

 **东莞市宏煜盛实业有限公司**
Dongguan hongyusheng Industry Co., Ltd
TEL: 0769-81230179 <https://www.hystypec.com>