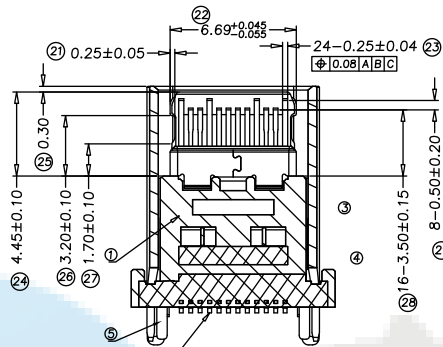
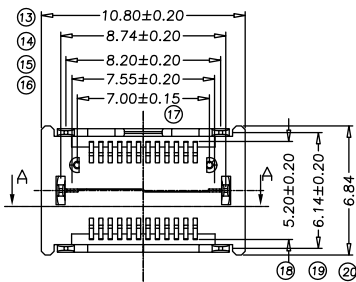
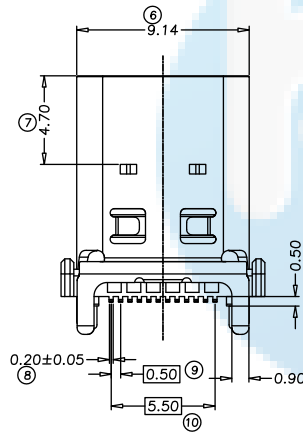
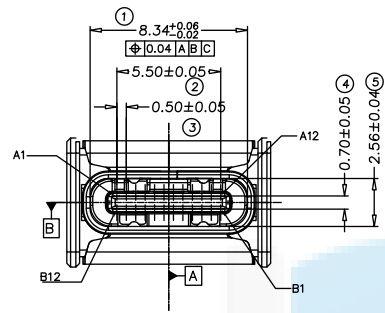
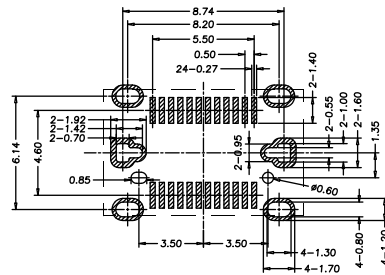
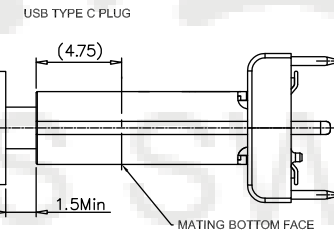
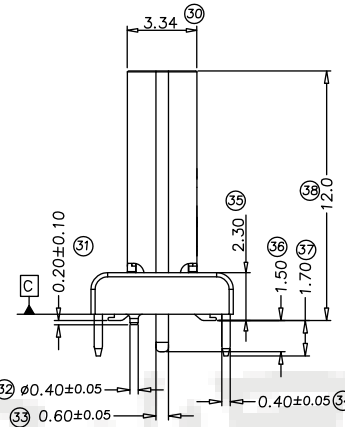
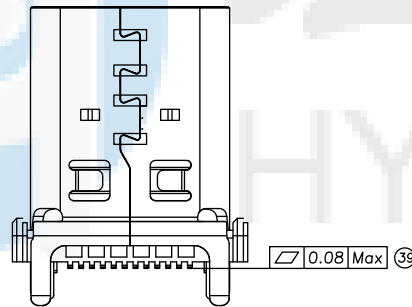


ROHS
Compatible

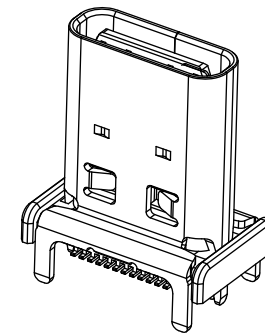


SECTION A-A
SCALE 1:1



RECOMENDED PCB LAYOUT
PCB T=1.60mm
TOL:±0.05

- NOTE:
- MATERIAL SPECIFICATION:
 - HOUSING: HIGH TEMPERATURE RESISTANT PLASTIC, WITH 30% GLASS FILLED, UL94 V-0 BLACK.
 - CONTACTS: COPPER ALLOY
 - EMI SPRING: STAINLESS STEEL
 - FRONT SHELL: STAINLESS STEEL
 - MIDDLE BLADE: STAINLESS STEEL
 - PLATING SPECIFICATION:
 - CONTACTS:
 - 30μm MIN. UNDER PLATED OVER ALL.
 - 30μm Au PLATED ON THE FUNCTIONAL AREA OF CONTACT. TIN PLATED ON SOLDER AREA.
 - EMI SPRING: CLEANING ONLY
 - FRONT SHELL:
 - 50μm MIN. UNDER PLATED OVER ALL.
 - MIDDLE BLADE:
 - 50μm MIN. UNDER PLATED OVER ALL.
 - MECHANICAL PERFORMANCE:
 - INSERTION FORCE: 0.5~2.0kgf.
 - REMOVAL FORCE: 0.8kgf~2.0kgf.
 - DURABILITY: 10000 CYCLES.
 - ELECTRICAL PERFORMANCE:
 - CURRENT RATING: 5.0A
VOLTAGE RATING: 5.0V
 - LLCR:
 - VBUS & GND PINS AND OTHER PINS: 40mA/PIN MAX.
 - SHIELD: 50mA/MAX.
 - LLCR MAX. CHANGE OF ALL PINS: 10mA
 - INSULATION RESISTANCE: 100MΩ MIN
 - DIELECTRIC WITHSTAND VOLTAGE, AC 100V FOR 1 MINUTE.
 - ENVIRONMENTAL PERFORMANCE:
 - OPERATING TEMPERATURE: -25°C~+85°C.
 - IR REFLOW:
 - THE PEAK TEMPERATURE ON THE BOARD SHALL BE MAINTAINED FOR 10 SECONDS AT 260°C.
- U5 159- 24P x 12.0L
名称 流水号 PIN位 N;母座 L;长度



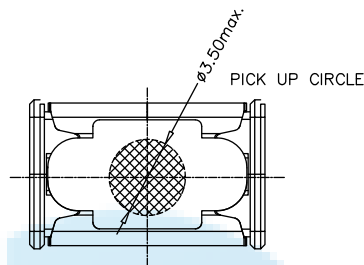
DESIGN	Li Jinwei	SCALL	
DRAWING	Wu Qifa	UNIT	mm
CHECK	Zheng Jinxian	SIZE	A4: 210 * 297
APPROVAL	Liu Xiaohong	DATE	2020-06-10

TOLERANCE	
X.X ±0.30	X.°±2°
.XX ±0.20	.X°±1°
.XXX ±0.10	.XX°±0.5°

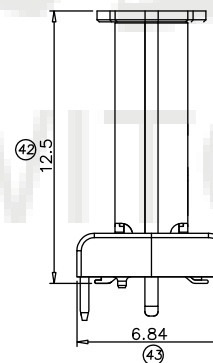
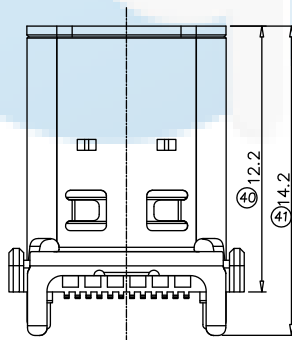
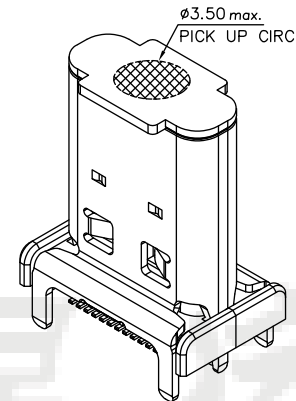
DRAWG NO.	U5159-24PN12.0L
TITLE:	24P 立式四脚插板SMT 12.0L

 **东莞市宏煜盛实业有限公司**
Dongguan hongyusheng Industry Co., Ltd
TEL: 0769-81230179 <https://www.hystypec.com>

ROHS
Compatible



PICK COVER



PIN DEFINE:

PIN ASSIGNMENT											
A1	A2	A3	A4	A5	A6	A7	A8	A9	A10	A11	A12
GND	TX1+	TX1-	VBUS	CC1	D+	D-	SBU1	VBUS	RX2-	RX2+	GND
GND	RX1+	RX1-	VBUS	SBU2	D-	D+	CC2	VBUS	TX2-	TX2+	GND
B12	B11	B10	B9	B8	B7	B6	B5	B4	B3	B2	B1

DESIGN	Li Jinwei	SCALL	
DRAWING	Wu Qifa	UNIT	mm
CHECK	Zheng Jinxian	SIZE	A4: 210 * 297
APPROVAL	Liu Xiaohong	DATE	2020-06-10

TOLERANCE	
X.X ±0.30	X.° ±2°
.XX ±0.20	.X° ±1°
.XXX ±0.10	.XX° ±0.5°

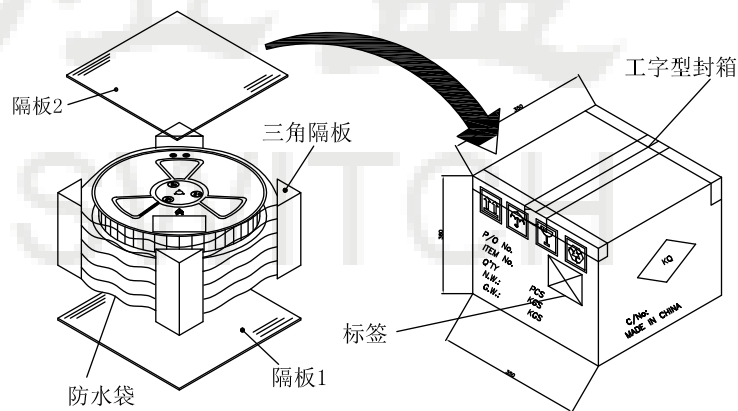
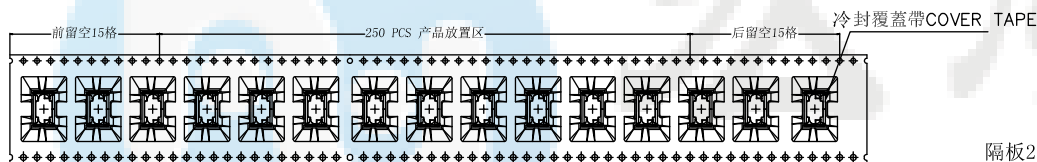
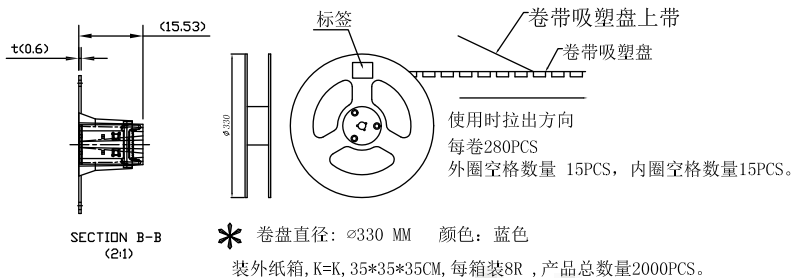
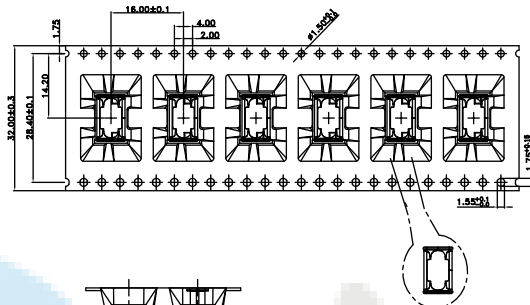
DRAWG NO.	U5159-24PN12.0L
TITLE:	24P 立式四脚插板SMT 12.0L


东莞市宏煜盛实业有限公司
 Dongguan hongyusheng Industry Co., Ltd
 TEL: 0769-81230179 <https://www.hystypec.com>

ROHS
Compatible

成品置於COMPONENTS區, 如圖所示。

端子(焊接点)朝向載帶底部, 并注意成品擺放方向之一致性。



备注:

1. 包装卷带与纸箱尺寸如图所示
2. 每盘装250PCS, 每箱8盘, 共计产品2000PCCS
3. 上下带用包装机封好, 并用胶纸贴好;
4. 箱内放入一个防水袋, 产品放入防水袋后, 四角用角板固定;
5. 包装过程中将标签粘到指定位置;
6. 箱内空处需用填充物填充, 防止外力致使外箱变形;

	REEL	CARTON
CONNECTOR (PCS)	250	2000

DESIGN	Li Jinwei	SCALL		 TOLERANCE X.X ± 0.30 X. $^{\circ} \pm 2^{\circ}$.XX ± 0.20 .X. $^{\circ} \pm 1^{\circ}$.XXX ± 0.10 .XX $^{\circ} \pm 0.5^{\circ}$
DRAWING	Wu Qifa	UNIT	mm	
CHECK	Zheng Jinxian	SIZE	A4: 210 * 297	
APPROVAL	Liu Xiaohong	DATE	2020-06-10	

DRAWG NO. U5159-24PN12.0L
TITLE: 24P 立式四脚插板SMT 12.0L

东莞市宏煜盛实业有限公司
Dongguan hongyusheng Industry Co., Ltd
TEL: 0769-81230179 <https://www.hystypec.com>