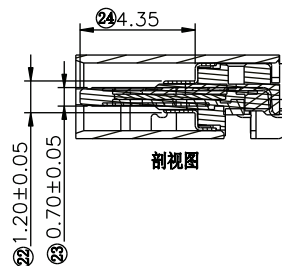
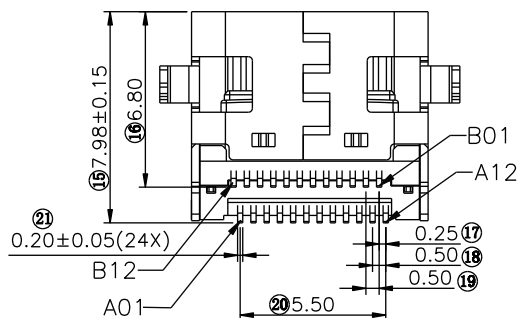
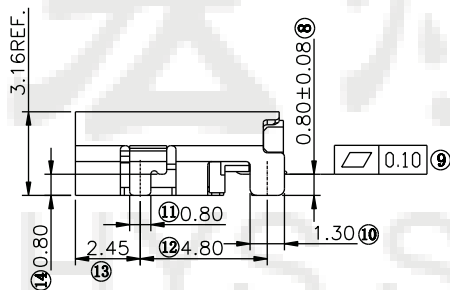
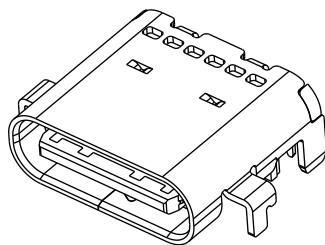
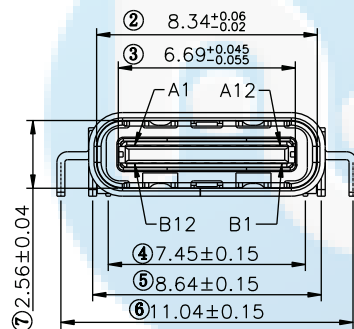
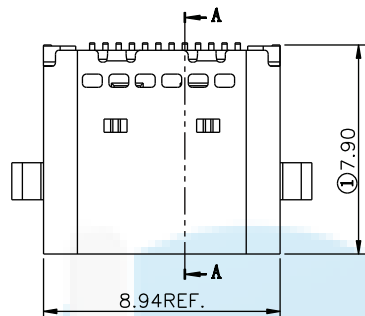


ROHS
Compatible



特性:

一、电气性能: ELECTRICAL

1. 额定电流: 5A
2. 接触阻抗: 40 MILLIOHMS MAX
3. 耐电压: 150V AC / 1 mA MAX
4. 绝缘阻抗: 150V DC/100 MEGA OHMS MIN

二、机械性能:

1. 插入力: 5~20N
2. 拨出力: 8~20N
3. 使用寿命: 10000次、拨出力 6~20N

三、材料: MATERIAL

1. 塑胶: LCP E130I黑色 UL94V-0
2. 端子: C7025/C18400 T=0.12MM
3. 外壳: SUS304 T=0.30MM
4. 接地片: SUS316 T=0.10MM
5. 卡勾: SUS304 T=0.15MM

四、电镀: FINISH

1. 端子: 接触点镀金3U~MIN
PIN脚焊接区域镀金1U~MIN.

2. 外壳: 镀镍50U~MIN (盐雾48H)

五、电镀品需做粘锡测试: 粘锡面积达到95%以上。

六、SMT回流焊 (峰值260° C±5° C) 不能起泡、熔胶、变色不良 (变形在公差范围以内)

七、工作温度: -40° C~+85° C

U5	116-	24P	x	0.8C	9.7L	XX
名称	流水号	PIN位	N;母座	C;沉板	L;长度	端子电镀规格
						01--1u' 03--3u'
						↓ 30--30u'

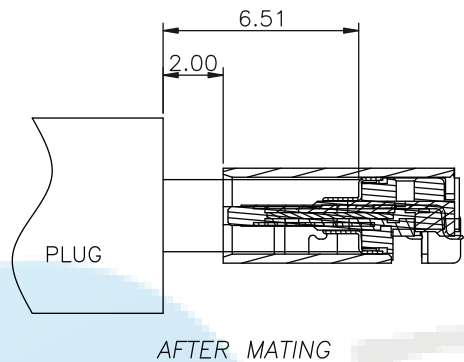
DESIGN	Li Jinwei	SCALL	
DRAWING	Wu Qifa	UNIT	mm
CHECK	Zheng Jinxian	SIZE	A4: 210 * 297
APPROVAL	Liu Xiaohong	DATE	2020-06-10

TOLERANCE	
X.X ±0.30	X.°±2°
.XX ±0.20	.X°±1°
.XXX ±0.10	.XX°±0.5°

DRAWG NO.	U5116-24PN0.8C9.7LXX
TITLE:	24P沉板0.8 四脚插板双排SMT 7.9L

 **东莞市宏煜盛实业有限公司**
Dongguan hongyusheng Industry Co., Ltd
TEL: 0769-81230179 <https://www.hystypec.com>

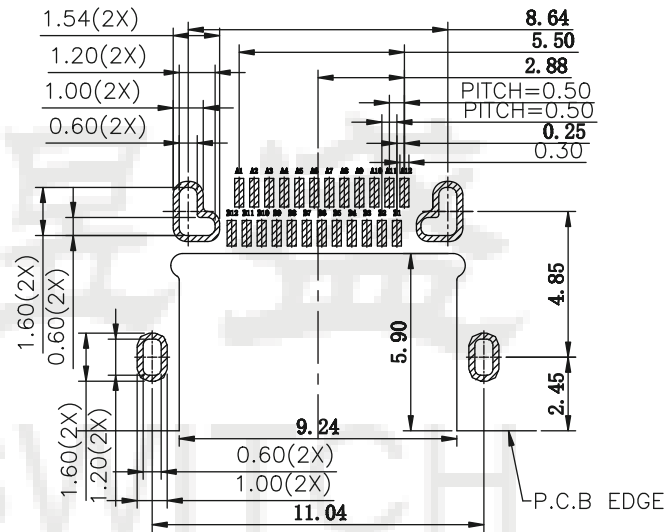
ROHS
Compatible



AFTER MATING

USB TYPE-C PIN ASSIGNMENTS

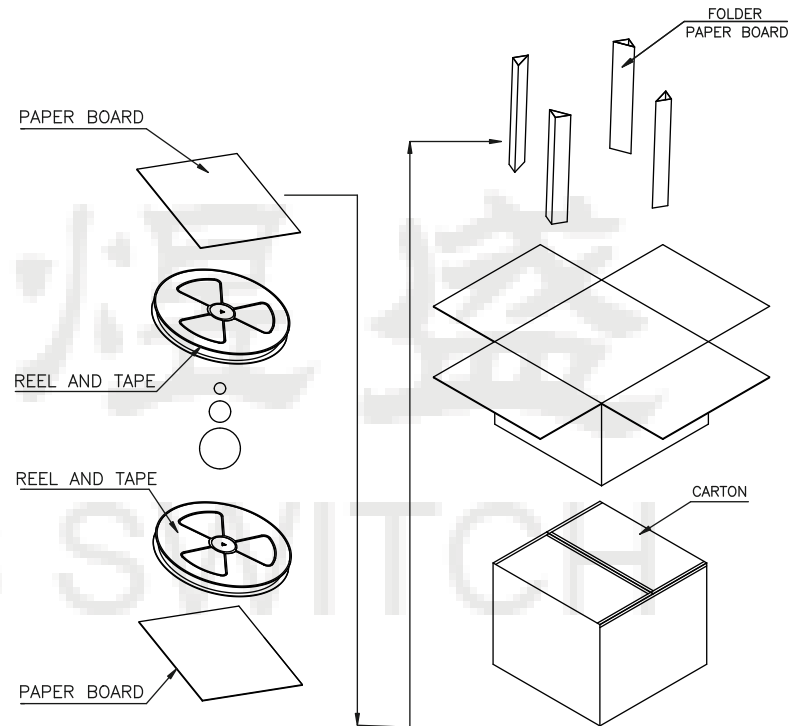
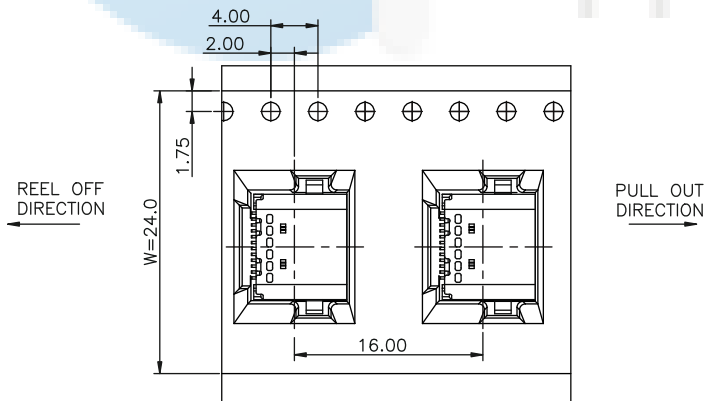
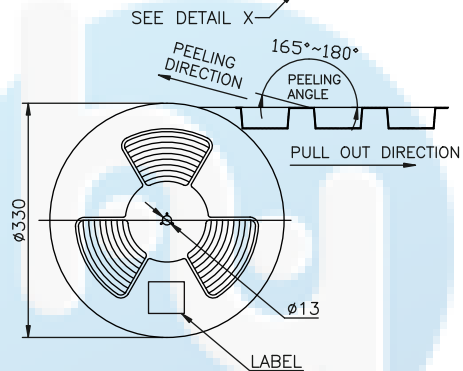
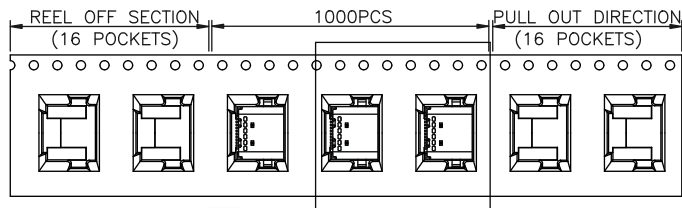
PIN NUMBER	SIGNAL NAME	PIN NUMBER	SIGNAL NAME
A1	GND	B12	GND
A2	SSTXp1	B11	SSRXp1
A3	SSTXn1	B10	SSRXn1
A4	VBus	B9	VBus
A5	CC1	B8	SBU2
A6	D+	B7	D-
A7	D-	B6	D+
A8	SBU1	B5	CC2
A9	VBus	B4	VBUS
A10	SSRXn2	B3	SSTXn2
A11	SSRXp2	B2	SSTXp2
A12	GND	B1	GND



RECOMMENDED PCB LAYOUT(TOP VIEW)
THICKNESS 0.60MM;DEFAULT TOLERANCE:±0.05

DESIGN	Li Jinwei	SCALL		 TOLERANCE X.X ±0.30 X.°±2° .XX ±0.20 .X° ±1° .XXX ±0.10 .XX°±0.5°	DRAWG NO.	 东莞市宏煜盛实业有限公司 Dongguan hongyusheng Industry Co., Ltd TEL: 0769-81230179 https://www.hystypec.com	
DRAWING	Wu Qifa	UNIT	mm		U5116-24PN0.8C9.7LXX		
CHECK	Zheng Jinxian	SIZE	A4: 210 * 297		TITLE:		24P沉板0.8 四脚插板双排SMT 7.9L
APPROVAL	Liu Xiaohong	DATE	2020-06-10				

ROHS
Compatible



DESIGN	Li Jinwei	SCALL		 TOLERANCE X.X ±0.30 X.°±2° .XX ±0.20 .X° ±1° .XXX ±0.10 .XX°±0.5°
DRAWING	Wu Qifa	UNIT	mm	
CHECK	Zheng Jinxian	SIZE	A4: 210 * 297	
APPROVAL	Liu Xiaohong	DATE	2020-06-10	

DRAWG NO. U5116-24PN0.8C9.7LXX
TITLE: 24P沉板0.8 四脚插板双排SMT 7.9L



东莞市宏煜盛实业有限公司
Dongguan hongyusheng Industry Co., Ltd
TEL: 0769-81230179 <https://www.hystypec.com>